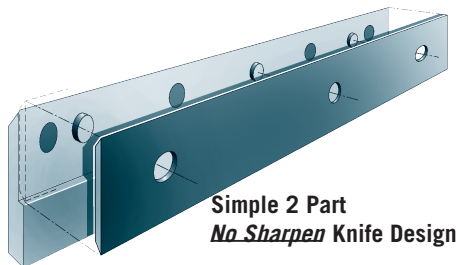


One-way planing blades in STANDARD, COBALT and TUNGSTEN CARBIDE quality (tungsten carbide available up to 240 mm)



Simple 2 Part
No Sharpen Knife Design

SELF-SET has received industry wide recognition as a new product that has significantly increased shop productivity and work quality while being very affordable.

Unique to the industry, the **SELF-SET** knife installs in your machine's ordinary stock cutter head, therefore eliminating the need to buy a special costly cutter head which is required by every other quick change knife system.

SELF-SET knives require no machine modifications or the use of jack screws, springs, setting gauges, jigs or measuring tools. No special skills are needed to quickly change knives with precision accuracy every time.

Knife changes are as easy as snapping the disposable double edge knife onto the **SELF-SET** holder and sliding them into the knife pocket until the precisely located stops contact the outside surface of your machine's cutter head. The time it takes to change knives has now been reduced to the time needed to loosen the cutter head gib bolts, replace the dull edge and retighten. **SELF-SET** eliminates all the time and frustration associated with changing knives and is much more economical than buying and re-sharpening standard knives. To greatly extend the usable life of each knife, nicked knives that are still sharp can now be easily side shifted in opposite directions to produce a smooth line free finish.

Design:

Blade holders made from high-quality material with high-precision provided with magnets and adjusting pins, to accommodate one-way planing blades. The holder and blade together have the same dimensions as a thin planer blocks/ heads of almost any planer without modification.

One-way planing blades are available in **STANDARD, COBALT, and TUNGSTEN CARBIDE** quality (tungsten carbide available up to 240 mm).

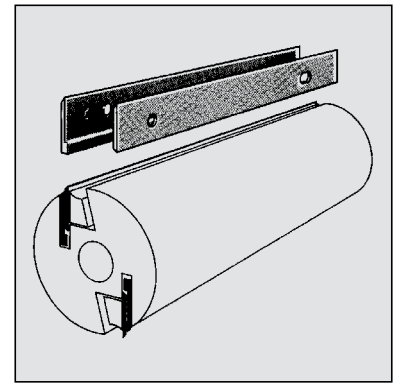


Abb. 1

blade holders "Self set" = automatic adjustment of the cutting circle in the blade block (see pic. 2)



Abb. 2

Application:

In combination with blade holders, oneway planing blades are an alternative to thin planer blades. They can be used in almost any surface planer, thicknessing planer, multi-sided planer, DIY planer and with heads, in standard lengths from 60 to 810 mm.

Most striking advantages:

- Long life when used for soft- and hard-textured wood
- Particularly clean and smooth planed surface
- Very sharp cutting edges – industrially ground and polished
- Blades ready to use are always available
- Easy blade change
- Low blade cost – generally even lower than the cost of sharpening blades by regrinding

