



DOUBLE END TENONING MACHINE
MODEL DE 60
INSTRUCTION MANUAL 1216

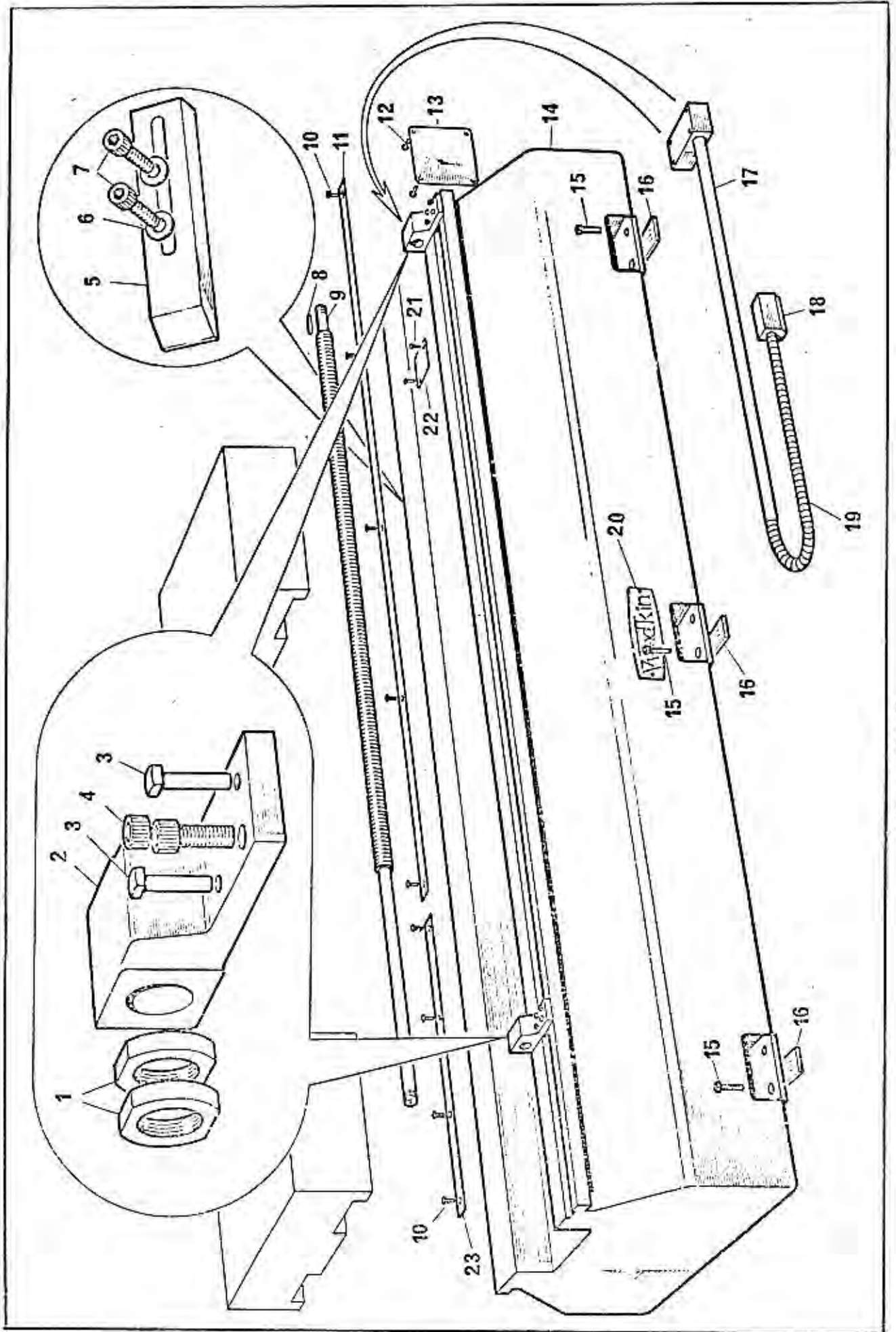
Wadkin Ltd. GREEN LANE WORKS, LEICESTER, LE5 4PF, ENGLAND Telephone: 0533 769111
TELEGRAMS: } WOODWORKER, LEICESTER, TELEX. TELEX: 34646 (WADKIN, LEICESTER)
CABLES: }
and at YORK HOUSE, EMPIRE WAY, WEMBLEY, MIDDX., HA9 0PA. Telex: 262210. Tel: 01-902 7714 (3 lines)

SECTION F

BED ASSEMBLY

Ref. No.	Part No.	Description	No. Off
1	WU114	Tension nut for traverse screw	4 per m/c
2	WU383	Traverse screw bracket (fixed head end)	1
	WU384	Traverse screw bracket (adjustable head end)	1
3	K05/20/710	3/8in. dia. x 1.1/2in. long square head dowel	4
4		1/2in. whit. x 1.1/4in. long socket head capscrew	4 per m/c
5	WU335	Trip cam for bed	2
6		1/4in. washer	4
7		1/4in. whit x 1in. long socket head grubscrew	4
8		1/4in. wide x 2 in. long feather key	1
9	WU125	Traverse screw (5ft. 0in. machine)	1
	WU 126	Traverse screw (8ft. 6in. machine)	1
10		3/16in. whit. x 3/8in. long countersunk screw	As req'd.
11	WU127	English rule 5ft.0in. machine L.H. opening	1
	WU374	English rule 5ft.0in. machine R.H. opening	1
	WU375	Metric rule 5ft.0in. machine L.H. opening	1
	WU376	Metric rule, 5ft.0in. machine R.H. opening	1
	WU372	English rule 8ft.6in. machine L.H. opening	1
	WU373	English rule, 8ft. 6in. machine R.H. opening	1
	WU377	Metric rule 8ft.6in. machine L.H. opening	1
	WU378	Metric rule 8ft.6in. machine R.H. opening	1
12		1/2in. whit. x 3/4in. long hexagon head bolt	4
13	WU468	Cover plate for aperture	1
14	WU122	Machine bed (5ft.0in. machine)	1
	WU329	Machine bed (8ft.6in. machine)	1
15		1/2in. whit x 2in. long square head bolt	6 per 5ft.0in. m/c
		1/2in. whit x 2in. long square head bolt	8 per 8ft.6in. m/c

Ref.No.	Part No.	Description	No.Off
16	WA149	Packing pieces	As req'd.
17		1.1/4in.dia. conduit tubing 5ft.0in. machine	3ft.10in.
		1.1/4in. dia. conduit tubing for 8ft.6in. machine	5ft.10in.
18	WU326	Conduit bracket	1
19		1in. dia. flexible tubing for 5ft.0in. machine	3ft.10in.
		1in. dia. flexible tubing for 8ft.6in. machine	5ft.10in.
20	QAJ260	Wadkin nameplate	1
21		3/16in. whit. x 3/8in. long round head screw	2
22	A-1045/242	Cover plate	1
23	WU128	Common filling in piece	1



BED ASSEMBLY

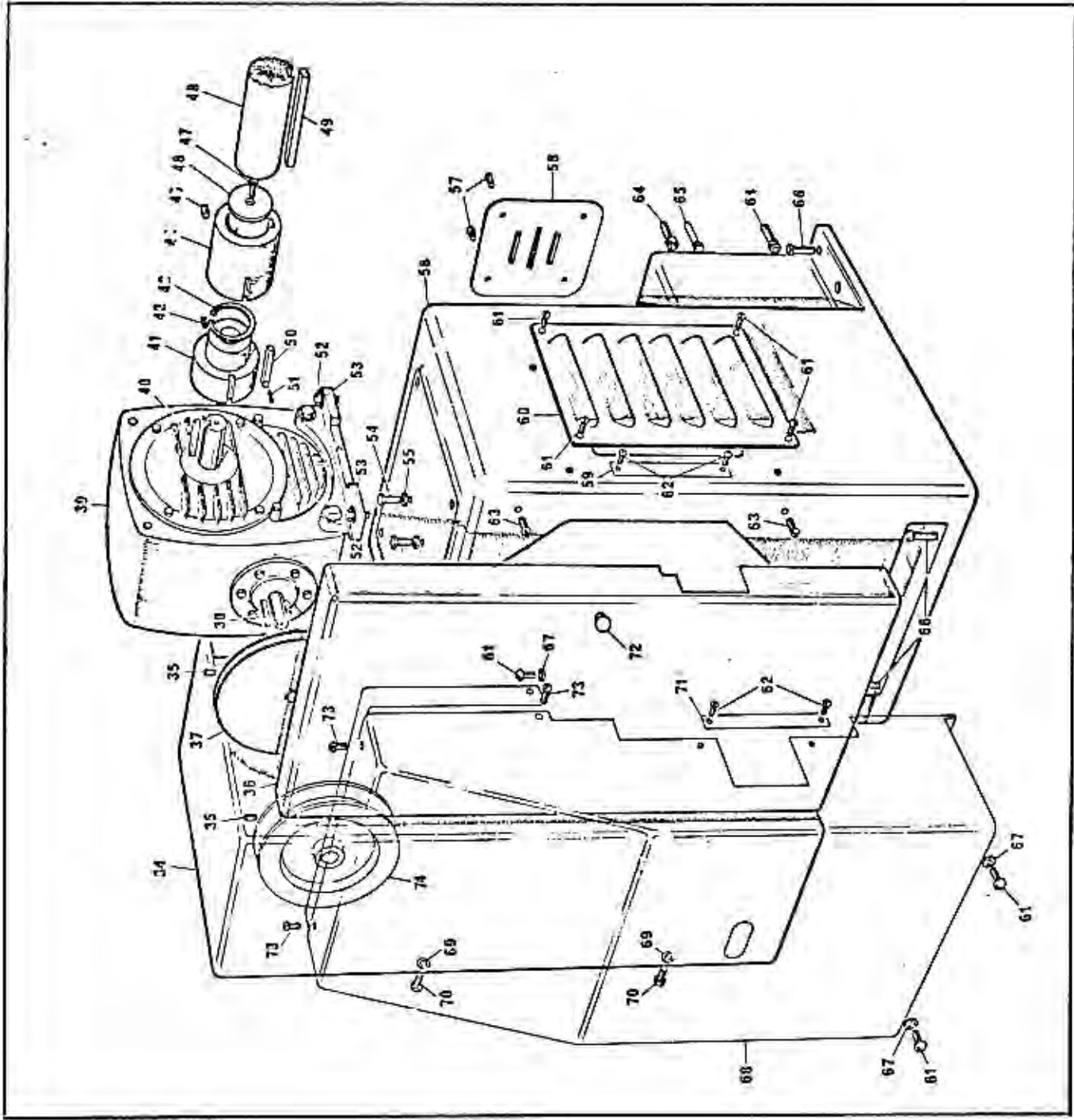
SECTION F

BACKSHAFT DRIVE ASSEMBLY

Ref. No.	Part No.	Description	No. Off
34		Electrical control cabinet	1
35		5/16in. whit. x 3/8in. long socket head grubscrew	2
36	WU342	Drive cover for 4 speed drive	1
37	WU481	Wormbox pulley (50 cycles)	1
38		1/4in. wide x 2.1/2in. long feather key	1
39	RR35	Croft worm reduction box assembly No.2 (L.H. machine)	1
	RR35	Croft worm reduction box assembly No.1 (R.H. machine)	1
40		3/8in. wide x 2.3/4in. long feather key	1
41	WU483	Wormshaft coupling	1
42		1/2in. whit. x 1 in. long socket head grubscrew	1
43	5000/250	Truarc internal circlip	1
44	WU482	Backshaft coupling	1
45		1/2in. whit. x 1/2in. long socket head grubscrew	1
46	WU312	Coupling washer	1
47		5/16in. whit. x 1in. long countersunk socket head capscrew	1
48	WU501	Backshaft (5ft.0in. machine)	1
	WU502	Backshaft (8ft.6in. machine)	1
49	WU503	Fixed key for backshaft (5ft.0in. machine)	1
	WU504	Fixed key for backshaft (8ft.6in. machine)	1
50	WU313	Brass shear key for coupling	1
51		3/16in. whit. x 3/4in. long countersunk socket head screw	1
52		1/2in. whit. x 1.1/2in. long hexagon head bolt	4
53		1/2in. washer	4
54		3/8in. whit. x-1.3/4in. long hexagon head bolt.	2
55		3/8in. whit. locknut	2
56	WU341	Wormbox support	1
57		1/4in. whit x 1/2in. long raised head screws	4
58	1031/53	Cover plate	1

BACKSHAFT DRIVE ASSEMBLY (cont.)

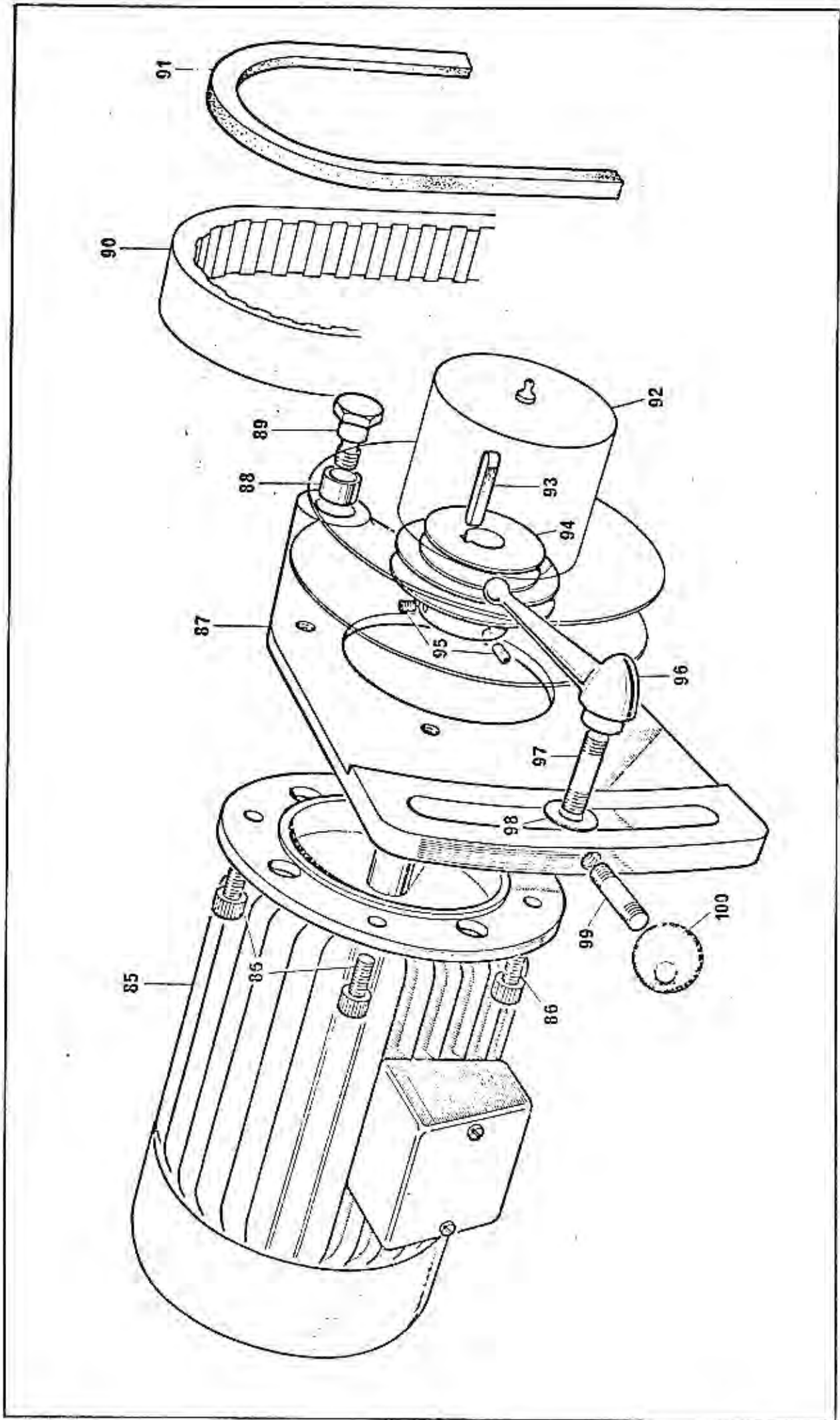
Ref. No.	Part No.	Description	No. Off
59	WU337	Feed speed plate (high range - variable drive)	1
60	WN278	Cover for feed drive	1
61		1/4in.whit x 1/2in. long round head screw	8
62		1/2in. long Z.10 self tapping screw	As req'd.
63		5/16in. whit. x 1/2in. long round head screw	4
64		1/2in. whit. x 1.1/4in. long socket head capscrew	4
65	K05 20 710	3/8in. dia. x 1.1/2in. long square head dowel	2
66		1/2in. whit. x 2 in. long square head bolt	4
67		1/4in. washer	4
68	WU336	Drive cover (variable drive 22-48 F.P.M.)	1
	WU555	Drive cover (variable drive 11-48 F.P.M.)	1
69		3/8in. washer	4
70		3/8in. whit x 1/2in. long hexagon head bolt	4
71	WU338	Feed speed plate (low range - variable drive)	1
72		1in. dia. 'Rencol' knob 5/16in. whit bore	1
73		3/16in.whit. x 1/2in. long round head screw	4
74	WU445	Wormbox pulley (50 cycle - variable drive 22-48 F.P.M.)	1
	WU553	Wormbox pulley (50 cycle - variable drive 11-48 f.p.m.)	1



BACKSHAFT DRIVE ASSEMBLY

SECTION F
FEED MOTOR MOUNTING

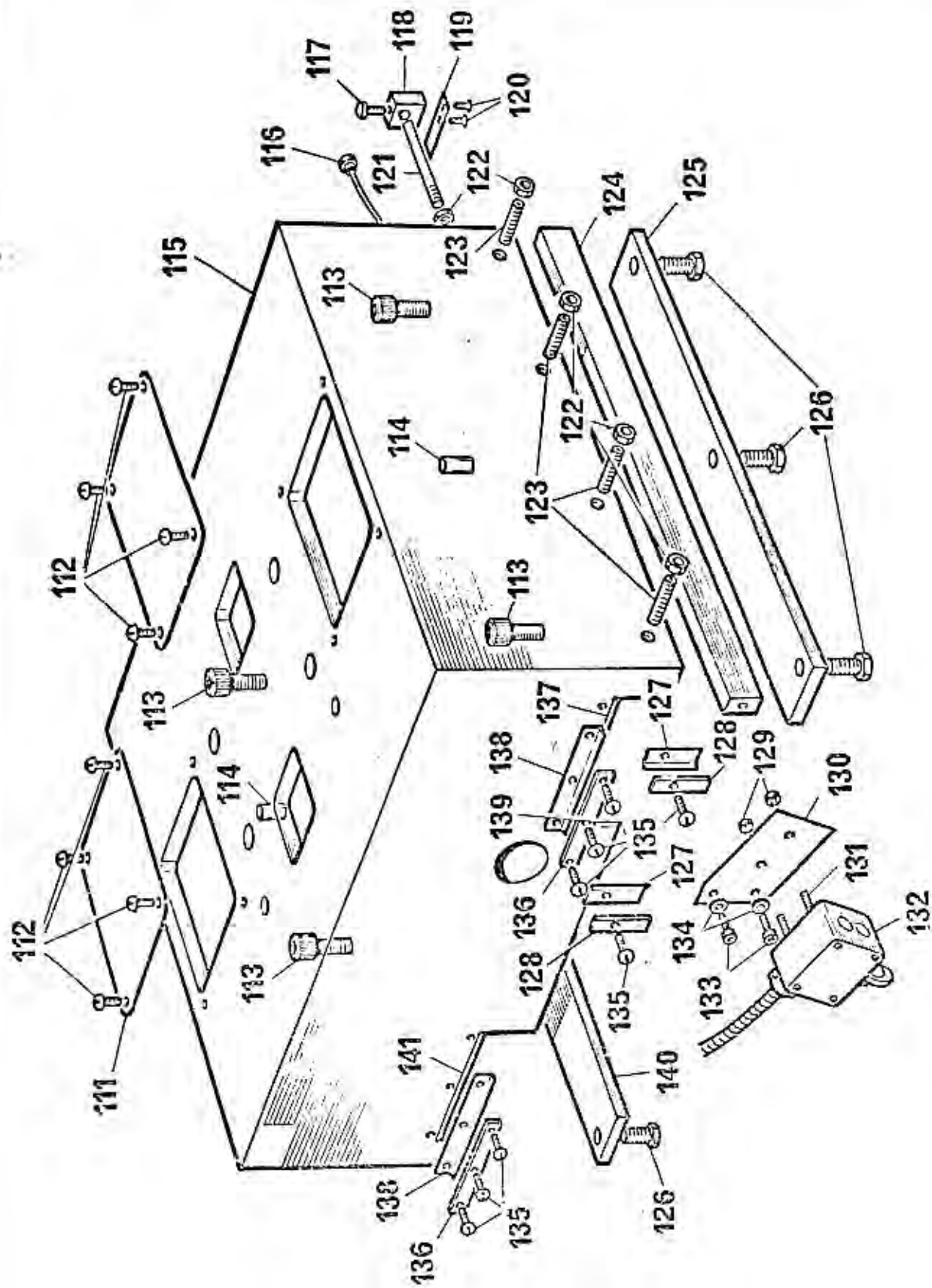
Ref. No.	Part No.	Description	No. Off
85		D112MD, flange mounted motor 3/1.1/2 h.p. 1,500/750 r.p.m. T.E.F.C. 3 phase 50 cycles	1
		D112MD, flange mounted motor, 3/1.1/2h.p. 1,800/900 T.E.F.C. 3 phase 60 cycles	1
86		3/8in. whit. x 3/4in. long socket head capscrew	4
87	WU330	Motor plate	1 per m/c
	WU554	Motor plate (special for 3/1.1/2 h.p. motor)	1
88		3/4in. i/d x 7/8in. o/d x 3/4in. long oilite bush	1
89	WU319	Locating pin for motor plate	1
	WU556	Locating pin for motor plate (special for 3/1.1/2h.p. motor)	1
90	Q/467	Variable speed vee belt (50 cycles)	1
	Q/537	Variable speed vee belt (60 cycles)	1
91	ALPHA 400	Fenner 'alpha' spacesaver vee belt (50 cycles)	1
	ALPHA 450	Fenner 'alpha' spacesaver vee belt (60 cycles)	1
92	775/Q	Hainsworth variable speed unit (extra)	1
93		8mm wide x 1.1/2in. long feather key	1
94	WU155	Motor pulley (4 speed drive)	1
95		5/16in. whit x 3/8in. long socket head grubscrew	2
96		1/2in. whit. 'Bursgreen' adjustable handle	1
97		1/2in. whit x 1.3/4in. long stud	1
		1/2in. whit. x 2in. long stud (variable drive)	1
		1/2in. whit x 2.1/2in. long stud (variable drive 3/1.1/2 h.p. motor)	1
98	WU513	1/2in. whit washer (4 speed drive)	1
	MA223	Washer for variable speed lock	1
99		Handle for feed adjustment	1
100		1.3/4in. dia. plastic ball, 1/2in. whit. bore.	1



FEED MOTOR MOUNTING

SADDLE ASSEMBLY

Ref. No.	Part No.	Description	No. Off
111	WU116	Cover for saddle	2 per saddle
112		3/16in. whit x 1/2in. long round head screw	8 per saddle
113		1/2in. whit. x 1.1/4in. long socket head capscrew (fixed saddle)	4
114		3/8in. dia. x 1.1/4in. precision ground dowel (fixed saddled)	2
115	WU129	Adjustable saddle (L.H.)	1
	WU130	Adjustable saddle (R.H.)	1
	WU131	Fixed saddle	1
116	PC.2	Concave oiler	2
117	D/1797/62	Knurled knob	1
118	WU385	Pointer block	1 per m/c
119	WU387	Pointer for bed rule	1 per m/c
120		3/16in. whit. x 3/8in. long countersunk screw	2 per m/c
121	WU386	Shaft for pointer block	1 per m/c
122		3/8in. whit locknut	6 per m/c
123		3/8in. whit. x 1.1/2in. long socket head grubscrew	6 per m/c
124	WU141	Wear strip for saddle	1
125	WU140	Lip plate for adjustable saddle	1
126		1/2in. whit. x 1in. long hexagon head bolt	6
127	Prescolian P.V. 1094	Wear strips for saddle (1.1/4in. long)	2
128	WU474	Support plate for wipers	2
129		2BA nuts	2
130	WU334	Bracket for limit switch	1
131		2BA x 3/8in. long round head screws	2
132	C32L810/811	Donovan limit switch	1
133		1/4in. whit. x 1/2in. long hexagon head bolt	2
134		1/4in. washer	2
135		3/16in. whit. x 1/2in. long round head screw	11
136	WU476	Support plate for wipers	3
137	WU148	Slide strip for saddle	1
138	Prescolian PV.1094	Wear strips for saddle (3.1/2in. long)	3
139	WU149	Slide strip for saddle	1
140	WU139	Lip plate for adjustable saddle	1
141	WU147	Slide strip for saddle	1

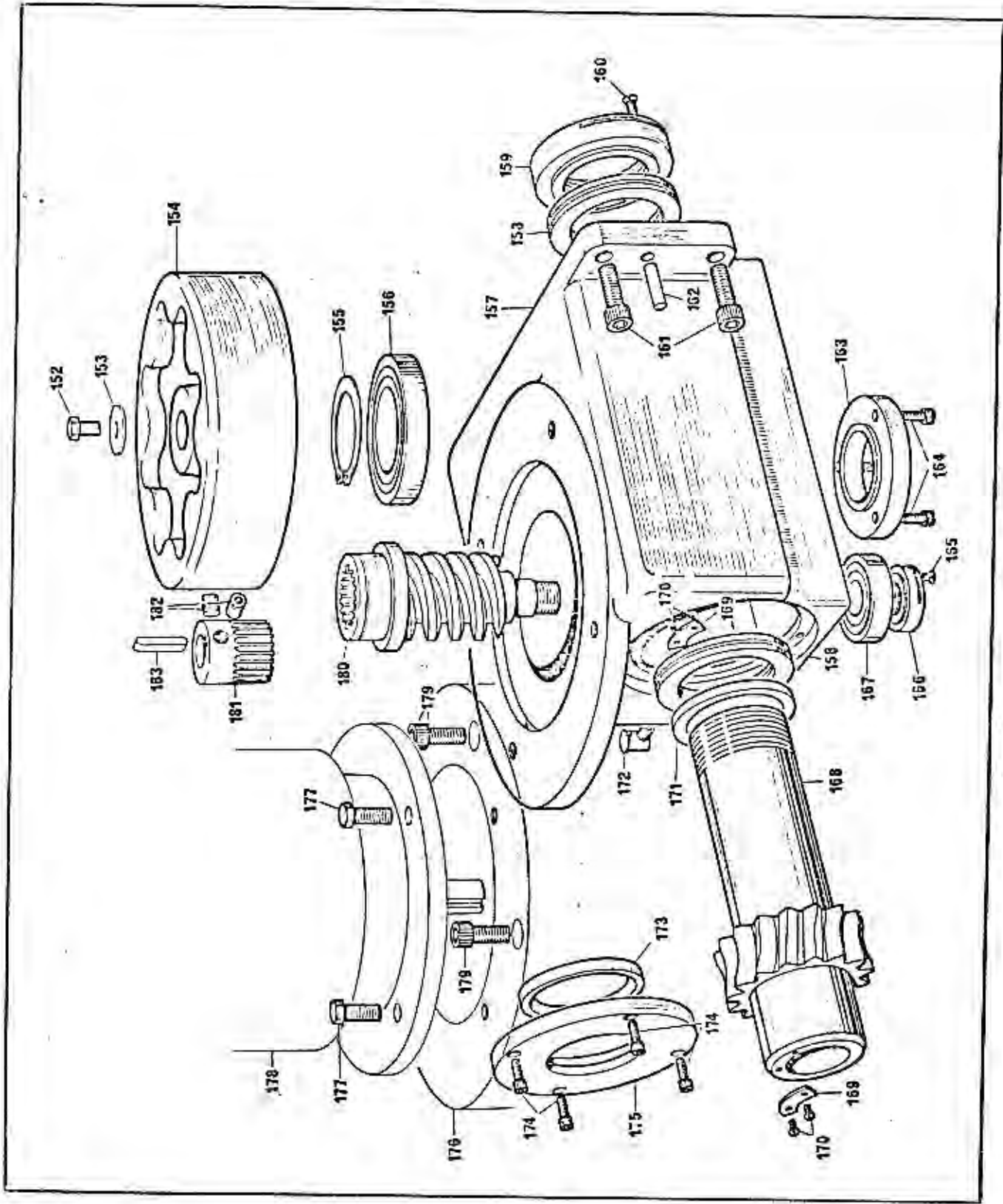


SADDLE ASSEMBLY

SADDLE TRAVERSE BOX ASSEMBLY.

Ref. No.	Part No.	Description	No. Off
152		1/4in. whit. x 3/4in. long hexagon head bolt	1
153	WU564	Washer for traverse motor handwheel	1
154	WU561	Traverse handwheel	1
155	5100-187	Truarc external circlip	1
156	XLS 1.7/8in.	Hoffman bearing	1
157	WU395	Wormbox for traverse (R.H.machine)	1
	WU394	Wormbox for traverse (L.H.machine)	1
158	AXK5578	Ina thrust needle cage	2
	GS5578	Ina housing washer	2
	WS5578	Ina shaft washer	2
159	K05/19/197	3.1/4in.dia. locknut	1
160		1/4in.whit. x 3/8in.long countersunk screw	1
161		3/8in.whit. x 1.1/4in. long socket head capscrew	4
162		3/8in. dia. x 1in. long precision dowel	2
163	WU371	End cap for wormbox	1
164		1/4in.whit. x 3/4in. long socket head capscrew	3
165		3/16in.whit. x 1/4in. long countersunk screw	1
166	K05/19/153	1.1/2in. dia. locknut	1
167	(K05-01-175) HOFF 120	Hoffman bearing	1
168	WU558	Wormwheel for traverse	1
169	WU509	Wiper pad for traverse screw	2
170		3/16in.whit. x 3/8in. long round headscrew	4
171	WU145	Letting up spacer for wormbox	1
172	2630	Adams oil cup	1
173	W27621 631R4	'Weston' oil seal	1
174		3/16in.whit x 3/4in.long socket head capscrew	4
175	WU142	End cap for wormbox	1
176	WU563	Adaptor plate for traverse motor	1
177		5/16in. whit. x 1in. long hexagon head bolt	4
178		Brook motor, frame T8, 2 H.P. 3000 R.P.M. T.E.N.V. 5 min. rated, flange mounted with shaft extension at N.D.E. (3 phase 50 cycles) Brook motor frame T8, 2H.P. 3600 R.P.M. T.E.N.V. 5 min. rated, flange mounted with shaft extension at N.D.E. (3 phase 60 cycles)	1

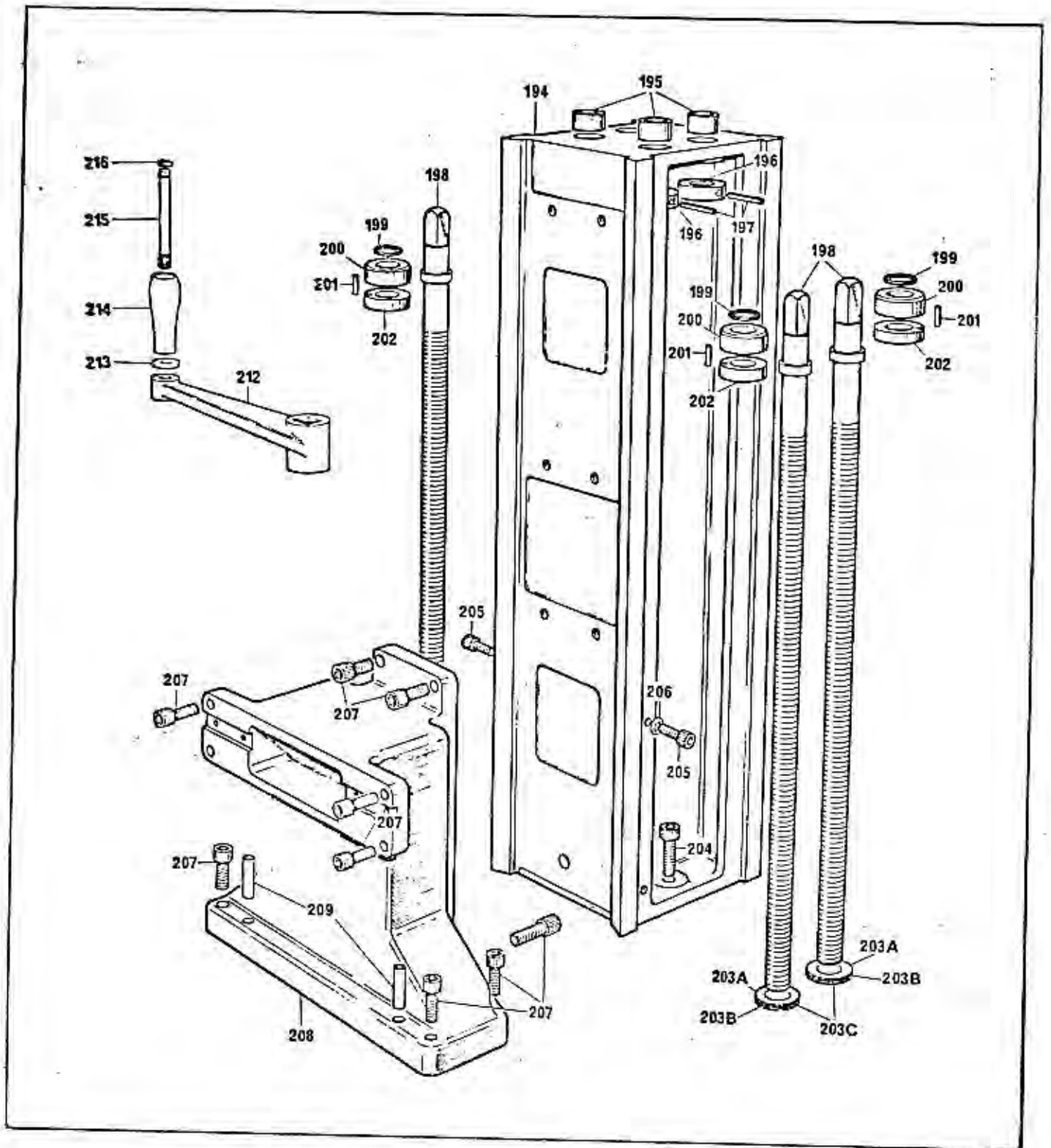
Ref.No.	Part No.	Description	No. Off
179		3/8in. whit. x 1 in. long socket head capscrew	4
180	WU557	Wormshaft for traverse	1
181	WU559	Traverse worm driving gear	1
182		1/8in. gas x 3/8in. long socket head grubscrew	2
183		3/16in. wide x 1.1/4in. long feather key	1



SADDLE TRAVERSE BOX ASSEMBLY

COLUMN ASSEMBLY

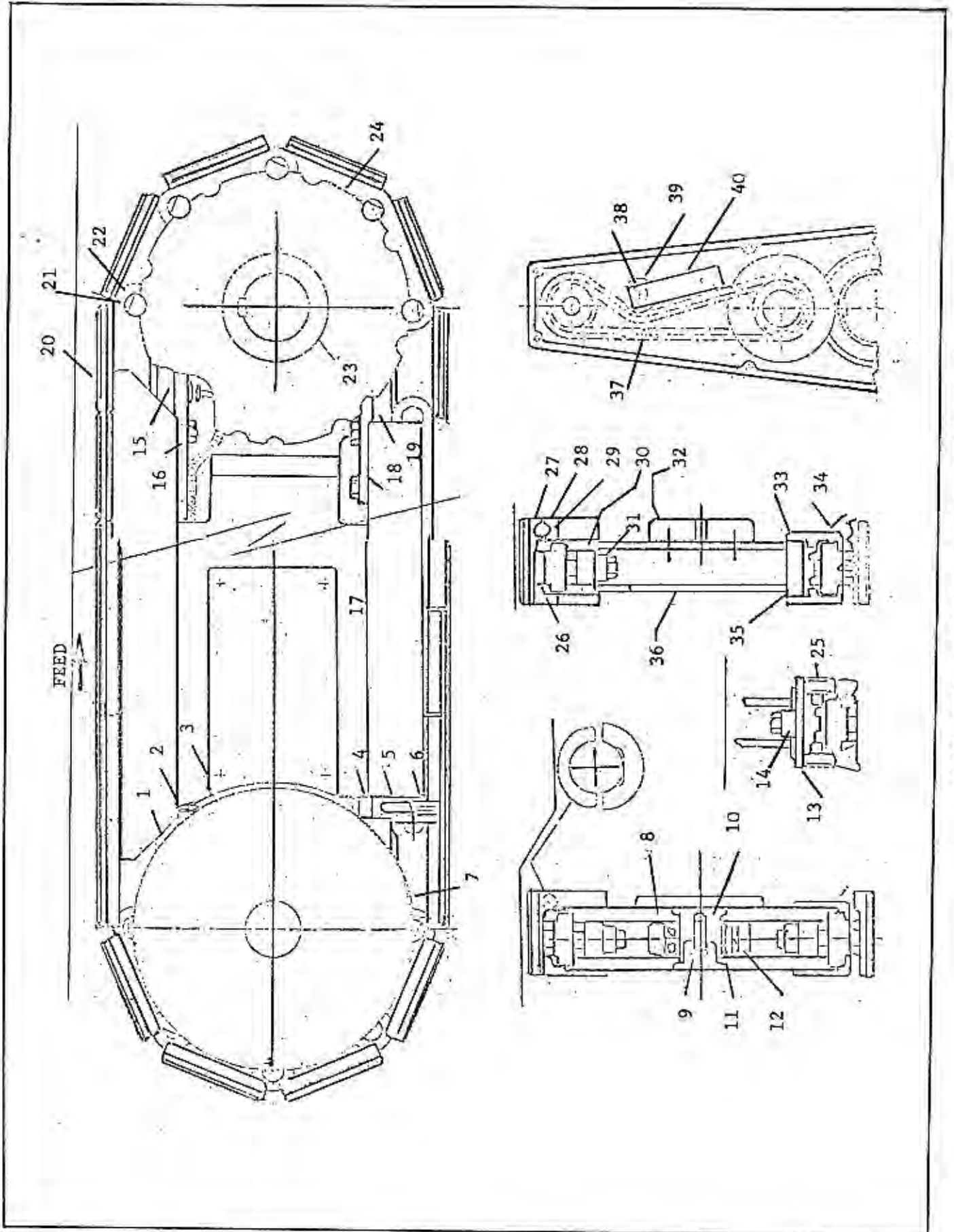
Ref. No.	Part No.	Description	No. Off
194	WU505	Column	2 per m/c
195		1.1/8in.o/d x 1 in. bore x 3/4in. long olite bush	1 per head
196	K05/20/105	lin. collar	1 per head
197	No.4	Taper pin	1 per head
198	WU248	Rise and fall screw for head	1 per head
199	W09803	Weston 'O' ring	1 per head
200	WN561	Dial for vertical adjustment	1 per head
201		1/8in.dia. x 1/2in. long groverlok spring dowel	1 per head
202	WN562	Zero ring	1 per head
203A	TRA1625	Torrington thrust washer	1 per head
203B	NTA1625	Torrington thrust bearing	1 per head
203C	TRB1625	Torrington thrust washer	1 per head
204		1/2in.whit. x 1.1/4in.long socket head capscrew	2 per column
205		3/8in. whit. x 3/4in.long socket head capscrew	2 per column
206		3/8in. washer	2 per column
207		1/2in. whit.x 1.1/4in. long socket head capscrew	11 per stretcher
208	1081/19	Stretcher for chain beam	2
209	WU548	Dowel for chain beam stretcher	2 per stretcher
212	WU550	Crank handle	1
213	A-S-211	Distance piece for plastic handle	1
214		3in. long No.4 plastic handle	1
215	A-S-101	Spindle for crank handle	1
216	5555-37	3/8in. external circlip	1



COLUMN ASSEMBLY

CHAIN BEAM AND IDLER SPROCKET ASSEMBLIES.

No.	Description	Part No.
1.	Chain Guide	1079/49
2.	Chain Guide Anchor Bar (Plain)	1079/32 DP38
3.	Bearing for Locking Arm	1079/9
4.	Chain Guide Anchor Bar with Brushes	1079/34
5.	Plate for Chain Brushes	1079/120
6.	Brushes	WN868
7.	Front Idle Sprocket	1079/22 DP 26
8.	Sprung Locking Arm	1079/10
9.	Idle Sprocket Locking Cap	1079/16
10.	Idle Sprocket Spindle	1079/15
11.	Shim for Idle Sprocket	1079/19
12.	Bearing	SKF 6008/2RS
13.	Plate for Chain Brushes	1079/120
14.	Chain Guide Anchor Bar with lubrication	1079/34
15.	Chain Guide (with blower)	1079/50
16.	Chain Guide Anchor Bar (with blower)	1079/33
17.	Chain Beam	1079/6
18.	Chain Guide Anchor Bar (plain)	1079/32
19.	Chain Guide	1079/49
20.	Guide Pad	1079/1
21.	Axle	1079/4
22.	Chain Link	1079/3
	Side Plate	1079/2
	Side Plate Spacer	1079/11
23.	Driving Sprocket Body	1079/21
24.	Driving Sprocket	1079/266 DP61
25.	Brushes	WN868
26.	Slide Rail	1079/13 DP11-12
27.	Guide Pad	1079/1 DP1
28.	Guide Bar	1079/47 DP47
29.	Guide Rail	1079/12 DP10
30.	Chain Guide	1079/49
31.	Chain Guide Anchor Bar (Plain)	1079/32
32.	Stretches for Chain Beam	1081/19
33.	Return Guide	1079/14
34.	Dust Shield for Guide Pad	
35.	Return guide	1079/14
36.	Chain Beam	1079/6
37.	Chain	110-046
38.	Idle Sprocket	1081/12
39.	Idle Sprocket	1081/11
40.	Link for adjusting tension on chain	



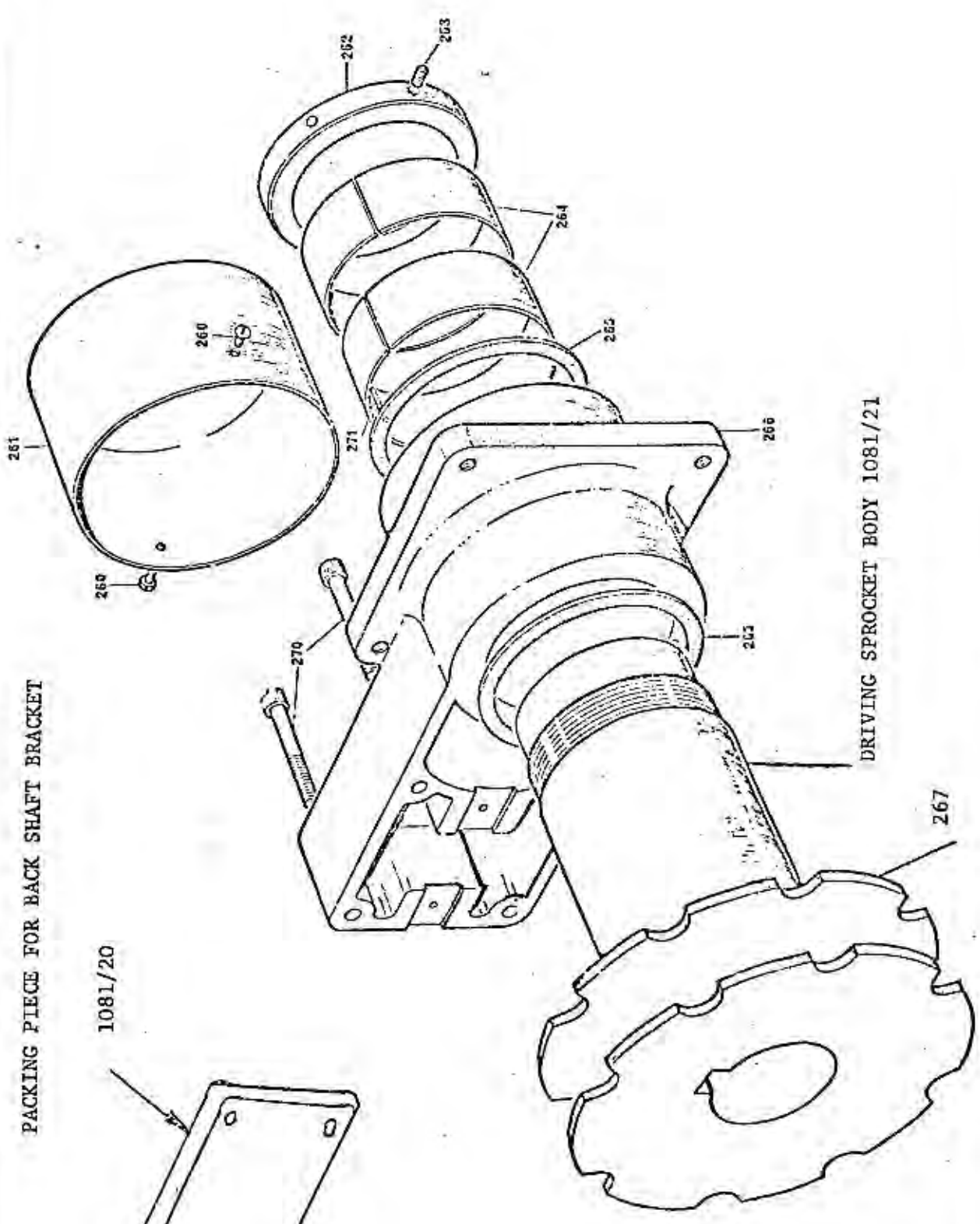
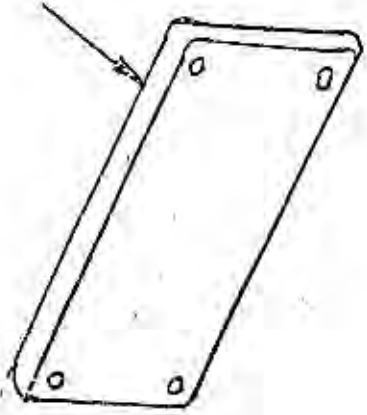
CHAIN BEAM AND IDLER SPROCKET ASSEMBLIES

CHAIN DRIVE SPROCKET ASSEMBLY

Ref. No.	Part No.	Description	No. Off
260		3/16in. whit. x 3/8in. long round head screw	2
261	WU349	Dust cover for backshaft (non driven feed track)	1
262	WU219	Locknut for driving sprocket	1 per beam
263		3/8in. BSF x 1/2in. long socket head grubscrew	1 per beam
264	MB,100,50,DU	Glacier Bush	2 per beam
265	WU174	Thrust washer	2 per beam
266	WU345	Bracket for main drive shaft	1 per beam
267	1081/22	Driving sprocket	1 per beam
270		3/8in. whit. x 2.3/4in. long socket head capscrew	8 per m/c
271		1/8in. dia. x 1/2in. long groverlok spring dowel	2 per beam

PACKING PIECE FOR BACK SHAFT BRACKET

1081/20



DRIVING SPROCKET BODY 1081/21

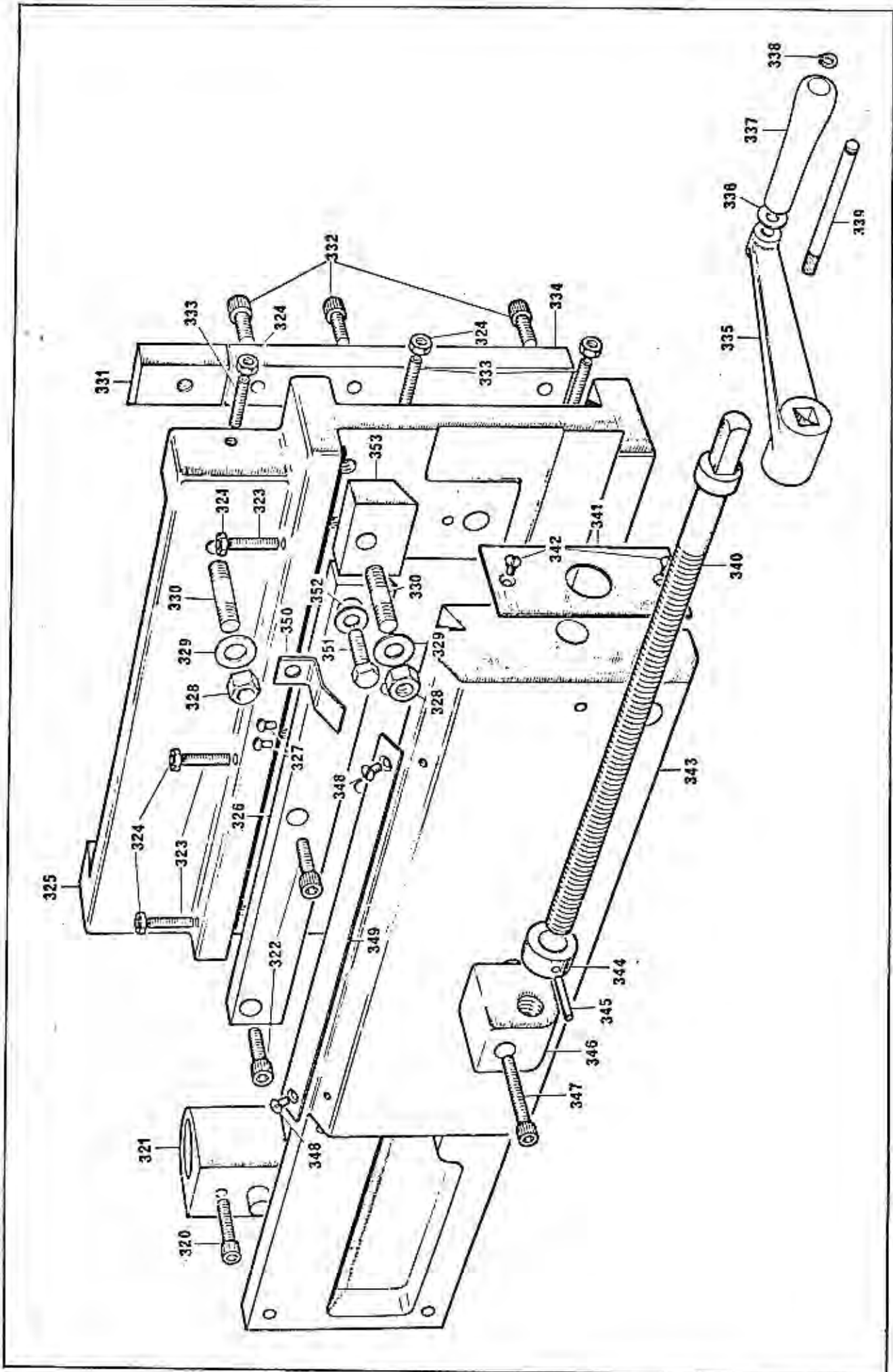
CHAIN DRIVE SPROCKET ASSEMBLY

HEAD SLIDE ASSEMBLY

Ref.No.	Part No.	Description	NO. Off.
320		5/16in. whit. x 5/8in. long socket head capscrew	1 per head
321	WU178	Nut for raising screw	1 per head
322		3/16in. whit x 7/8in. long hexagon head bolt	3 per bottom head 2 per top head
323		1/4in. whit. x 1in. long socket head grubscrew	3 per head
324		1/4in. whit. locknut	6 per head
325	WU 506	Back slide for cutter spindle (for front heads, top right and bottom left also rear heads top left and bottom right)	1 per head
	WU507	Back slide for cutter spindle (for front heads top left and bottom right also rear heads, top right and bottom left)	1 per head
326	WU238	Vee Strip for backslide	1 per head
327		3/16in. whit. x 3/8in. long round head screw	2 per bottom head
328		1/2in. whit.nut	2 per head
329		1/2in. BSF washer	2 per head
330		1/2in. whit. x 1.3/4in. long stud	2 per head
331	WU510	Locking strip for head slide	1 per head
332		3/8in. whit. x 1.1/2in. long socket head capscrew	3 per slide
333		1/4in. whit. x 1.1/4in. long socket head grubscrew	3 per head
334	WU508	Vee slide for cutter head slide	1 per head
335	WE 607	Crank handle	1
336	A-S-211	Distance piece for plastic handle	1
337		3in. long No.4 plastic handle	1
338	5555-37	3/8in. external circlip	1
339	A-S-101	Spindle for crank handle	1
340	WU227	Horizontal traverse screw	1 per head
341	WU241	Horizontal traverse screw indicator plate	1 per head
342		1/4in. long Z.6 self tapping screw	2 per head
343	WU258	Horizontal slide for cutter spindle (for front heads, top right and bottom left also rear heads top left and bottom right)	1 per head
	WU257	Horizontal slide for cutter spindle (for front heads, top left and bottom right also rear heads, top right and bottom left)	1 per head

HEAD SLIDE ASSEMBLY

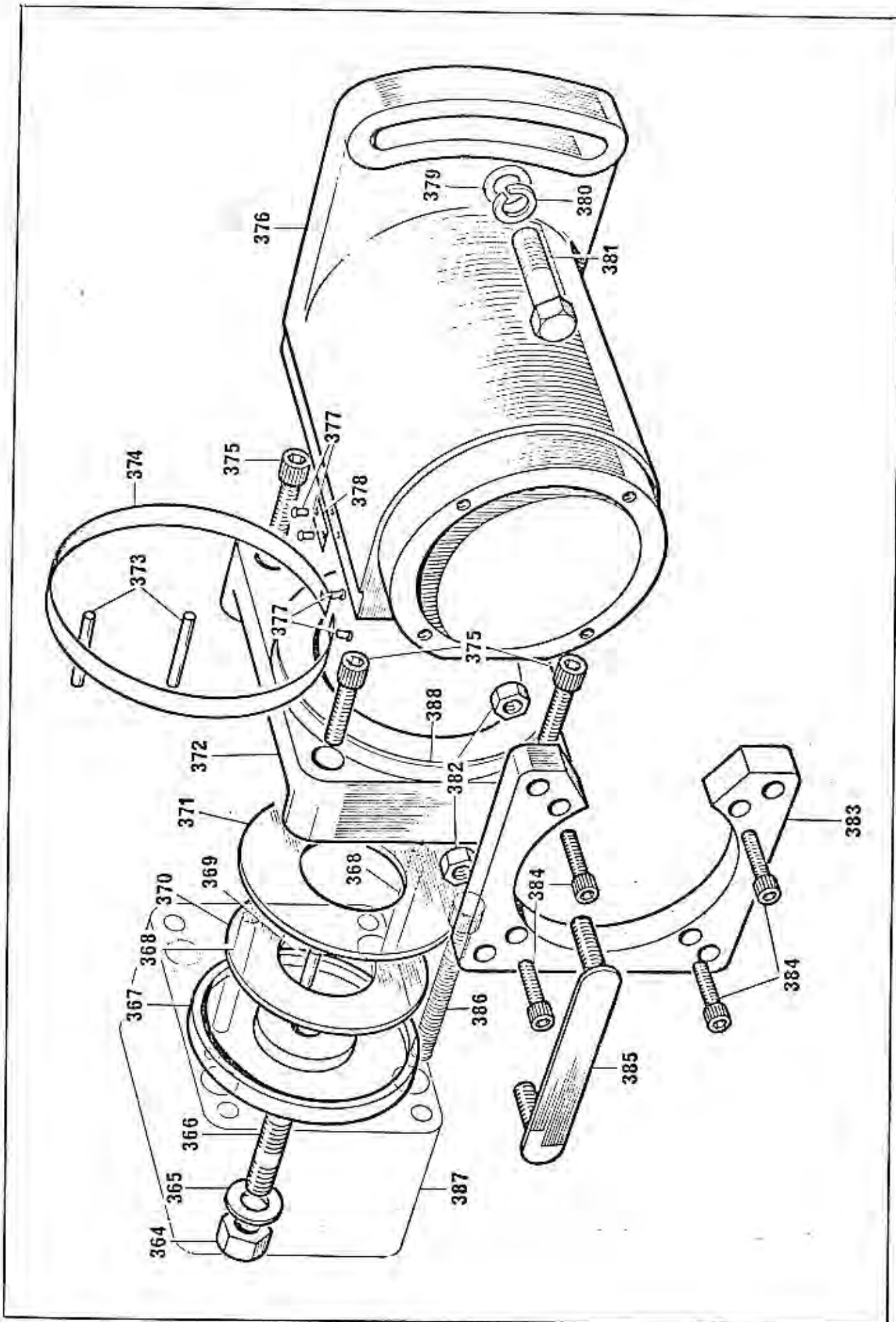
Ref. No.	Part No.	Description	No. Off
344	K05/20/103	3/4in. collar	1 per head
345		3/16in. dia. x 1.1/4in. groverlok spring dowel	1 per head
346	WU236	Nut for horizontal adjustment	1 per head
347		5/16in. whit. x 1.1/2in. long socket head capscrew	1 per head
348		3/16in. whit. x 3/8in. long counter- sunk screw	2 per head
349	WE743	9in. rule cross traverse scale	state head req'd.
	WE744	9in. rule cross traverse scale	state head req'd.
350	WU361	Top head pointer, horizontal, front left and rear right	1 per head
	WU362	Top head pointer, horizontal, front right and rear left	1 per head
	WU363	Bottom head pointer, horizontal front left and rear right	1 per head
	WU364	Bottom head pointer, horizontal front right and rear left	1 per head
351		3/8in. whit. x 1.1/4in. long hexagon head bolt	1 per top head
352		3/8in. BSF washer	1 per head
353	WU239	Vee locking strip for backslide	1 per head



HEAD SLIDE ASSEMBLY

HEAD BARREL ASSEMBLY

Ref. No.	Part NO.	Description	No. Off.
364		5/8in. whit. nut	1 per head
365		5/8in. washer	1 per head
366		5/8in. whit. x 2 in. long stud	1 per head
367	WU205	Cap for disc. spring	1 per head
368		1/4in. dia. x 2.1/4in. long precision dowel (special for use with WU159)	As req'd.
369		1/4in. dia. x 3/4in. long fluted dowel	1 per head
370		100mm dia. x 3.5 mm thick 'Schnorr' disc. spring	1 per head
371	WU206	Disc spring spacer	1 per head
372	WU254	Pivot bracket for front cutter spindle	1 per head
	WU253	Pivot bracket for rear cutter spindle	1 per head
373		1/4in. dia. x 2.1/4in. long precision ground dowels	2 per head
374	WU359	Scale for canting movement	1 per head
375		3/8in. whit. x 1.3/4in. long socket head capscrew	4 per head
376	WU252	Cutter spindle barrel	1 per head
377		1/8in. 2.4 self tapping screw	4 per head
378	WE731	Indicator plate for head	1 per head
379		1/2in. washer	1 per head
380		1/2in. heavy spring washer	1 per head
381		1/2in. whit. x 1.3/4in. long hexagon head bolt	1 per head
382		3/8in. whit nut	2 per head
383	WU223	End cap for hood	1 per head
384		1/4in. whit x 3/4in. long socket head capscrew	4 per head
385	WU442	Clamp strip for cutter guard	1 per head
386		3/8in. whit. x 2.3/4in. long socket head capscrew (special for use with packing plate WU159)	As req'd
387	WU159	Packing plate for scoring head (special to order only).	As req'd.
388	WU360	Friction washer for head cant	1 per head

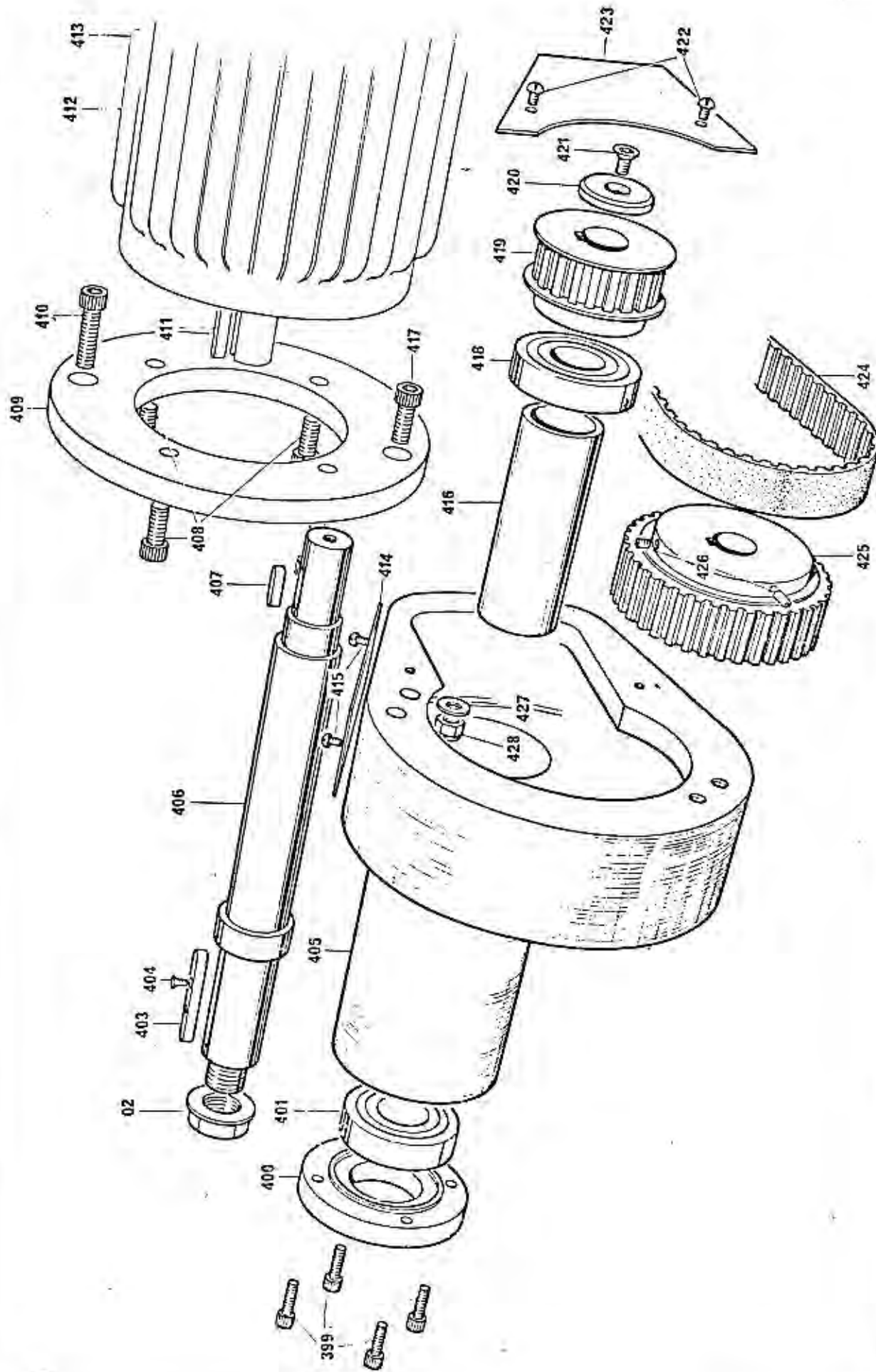


HEAD BARREL ASSEMBLY

HEAD ASSEMBLY (BELT DRIVE)

REF. NO.	PART NO.	DESCRIPTION	NO. OFF
399		1/4in. whit. x 3/4in. long socket head capscrew	4 per head
400	WU233	End cap for spindle housing	1 per head
401	135RSS	Hoffman bearing (sealed for life)	1 per head
402	WA 497	Nut for spindle	1 per head
403	WU393	Key for cutter spindle	1 per head
404		1/8in. whit. x 3/8in. long countersunk screw	1 per head
405	WU492	Spindle Housing	1 per head
406	WU494	Cutter spindle (1.1/4in. dia.)	1 per head
	WU495	Cutter spindle (30mm dia.)	1 per head
407		5/16in. wide x 1in. long feather key	1 per head
408		8mm x 20mm long socket head capscrew	4 per 5 h.p. head
409	WU516	Adaptor plate for 4 h.p. motor	1 per 4 h.p. head
410		3/8in. whit. x 1.1/2in. long socket head capscrew	1 per head
411		8mm wide x 1.1/4in. long key	1 per head
412		D100L motor, 4/5 H.P., 3,000 R.P.M. T.E.F.C. 'C' face flange mounted, 3 phase, 50 cycles D100L motor, 4/5 H.P. 3,600 R.P.M. T.E.F.C. 'C' face flange mounted, 3 phase, 60 cycles	1 per 4 H.P. head
413		D90LD motor 3 H.P. 3,000 R.P.M. T.E.F.C. CMR, flange mounted 3 phase 50 cycles	1 per 3 H.P. head
		D90LD motor 3 H.P. 3,600 R.P.M. T.E.F.C. CMR, flange mounted, 3 phase, 60 cycles	1 per 3 H.P. head
414	WU517	Inspection cover for spindle housing	1 per head
415		1/4in. whit. x 3/8in. long round head screws	2 per head
416	WU235	Bearing spacer for cutter spindle	1 per head
417		3/8in. whit. x 3/4in. long socket head capscrew	1 per head
418	330 RSS	Hoffman bearing (sealed for life)	1 per head
419	WU522	Spindle pulley (22L100-50 cycles)	1 per head
	WU 539	Spindle pulley (19L 100-60 cycles)	1 per head
420	WU496	Washer for cutter spindle	1 per head
421		3/8in. whit x 1.1/4in. long countersunk 'nylok' socket head capscrew.	1 per head

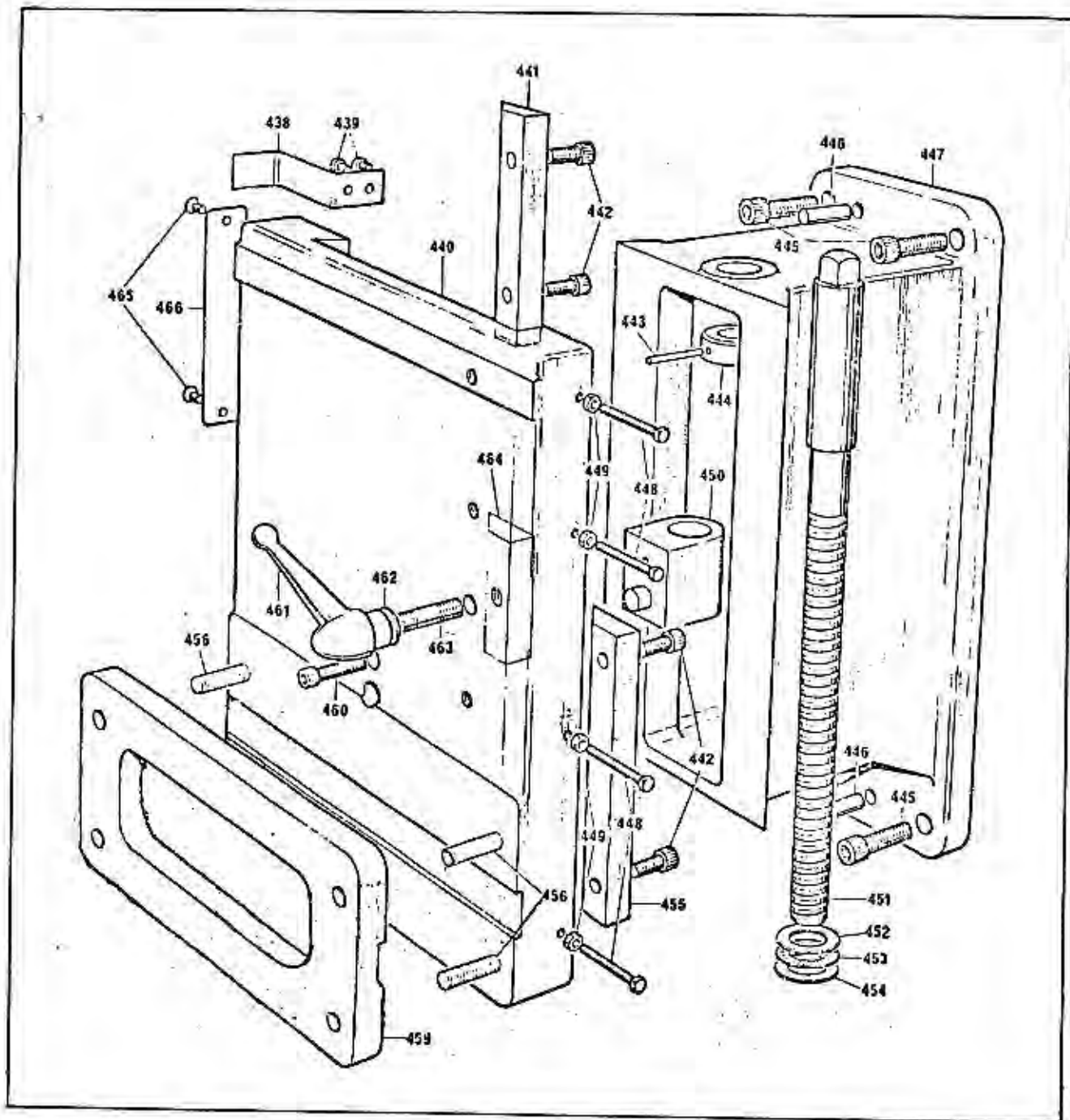
Ref.No.	Part No.	Description	No. Off.
422		1/4in. whit. x 3/8in. long round head screw	2 per head
423	WU497	Cover for spindle housing	1 per head
424	187L100	Timing belt (50 cycles)	1 per head
	165L100	Timing belt (60 cycles)	1 per head
425	WU524	Motor pulley (4 H.P. 50 cycles -36L100)	1 per head
	WU523	Motor pulley (3 H.P. 50 cycles -36L100)	1 per head
	WU540	Motor pulley (3 h.p. 60 cycles -27L100)	1 per head
	WU541	Motor pulley (4 h.p. 60 cycles -27L100)	1 per head
426		1/4in. whit. x 3/4in. long socket head grubscrew	2 per head
427		3/8in. washer	1 per head
428		3/8in. whit. aerotight nut	1 per head



HEAD ASSEMBLY (BELT DRIVE)

PRESSURE BEAMS SLIDE ASSEMBLY

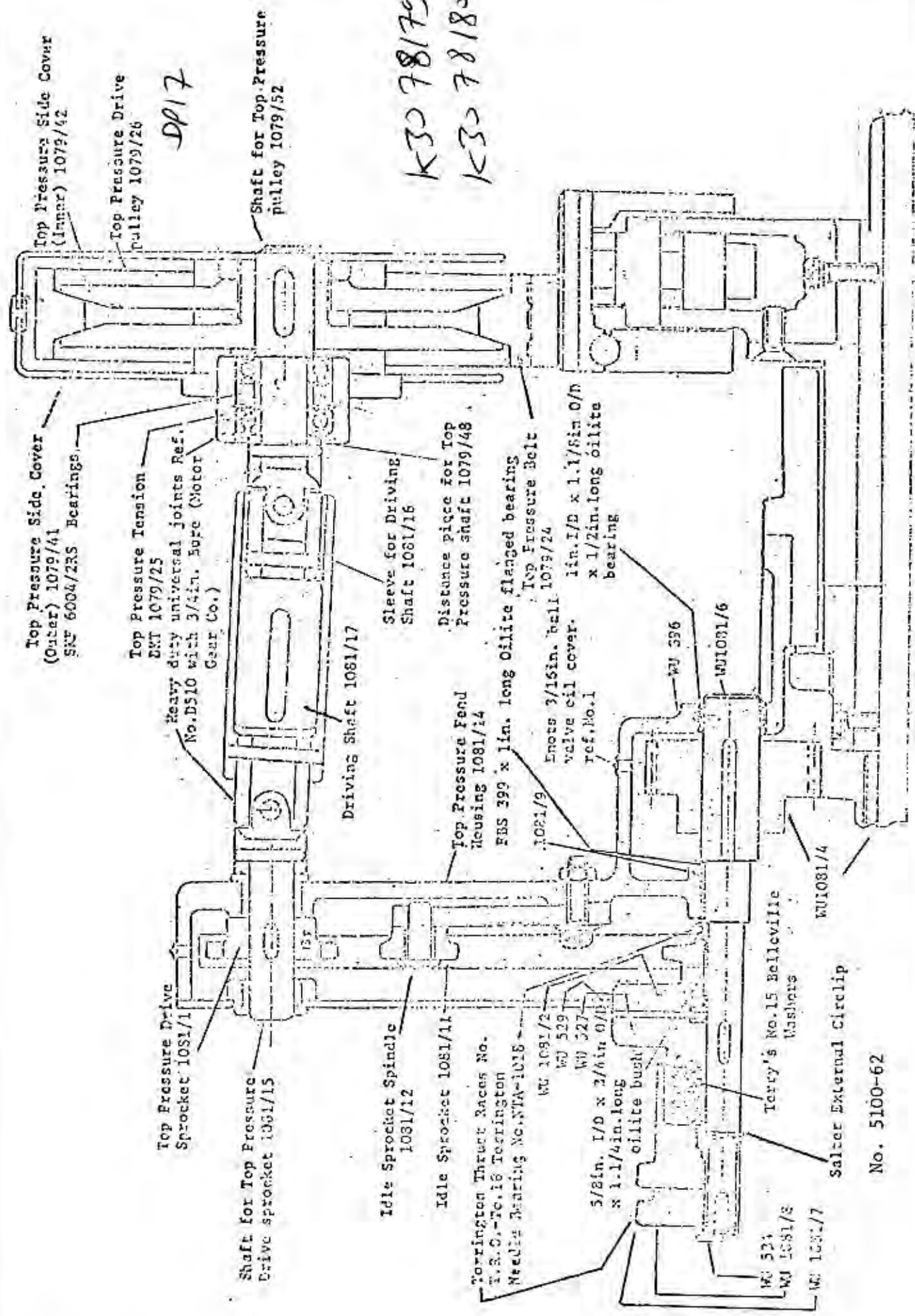
Ref. No.	Part No.	Description	No. Off
438	WU446	Pointer for pressure rise and fall (R.H.)	1 per m/c
	WU447	Pointer for pressure rise and fall (L.H.)	1 per m/c
439		3/16in. whit. x 1/2in. long round headscrew	2 per slide
440	WU432	Backslide for pressure (R.H.)	1 per m/c
	WU431	Backslide for pressure (L.H.)	1 per m/c
441	WU433	Vee strip for pressure slide	1 per slide
442		3/8in. whit. x 1in. long socket head capscrew	4 per slide
443	No.4	Taper pin	1 per slide
444	K05/20/105	Collar for raising screw	1 per slide
445		1/2in. whit. x 1.1/4in. long socket head capscrew	4 per slide
446		3/8in. dia. x 1.1/4in. precision dowel	2 per slide
447	WU182	Pressure support bracket	2 per m/c
448		1/4in. whit. x 1.3/4in. long hexagon head bolt.	4 per slide
449		1/4in. whit. locknut	4 per slide
450	WU178	Raising nut for pressure beam	1 per slide
451	WU177	Raising screw for pressures	1 per slide
452	TRB1625	Torrington thrust washer	1 per slide
453	NTA1625	Torrington thrust bearing	1 per slide
454	TRA 1625	Torrington thrust washer	1 per slide
455	WU434	Vee strip for pressure slide	1 per slide
456		3/8in. whit. x 2.1/4in. long socket head capscrew	4 per slide
459	WU421	Packing plate	1 per slide
460		5/16in. whit. x 3/4in. long socket head capscrew	1 per slide
461		3/8in. whit. 'Bursgreen' adjustable handle	1 per slide
462		3/8in. washer	1 per slide
463		3/8in. whit. x 1.1/4in. long stud	1 per slide
464	WU435	Pressure locking pad	1 per slide
465		3/16in. whit. x 3/8in. long countersunk screw	2 per slide
466	WU381	Scale for pressure rise and fall	1 per slide



PRESSURE BEAMS SLIDE ASSEMBLY

K30 78179
 K30 78180

DP17



DRIVEN TOP PRESSURE ASSEMBLY

DP2U79

M5 x 16 Long Head Screw

1 off per dog. L.H.
track small throw
B 1079/188

1 off per dog R.H.
track large throw
B 1079/189

M8 x 22 long Nylok
capscrew

Guide pad
C 1079/1

Disappearing Dog
B1079/187

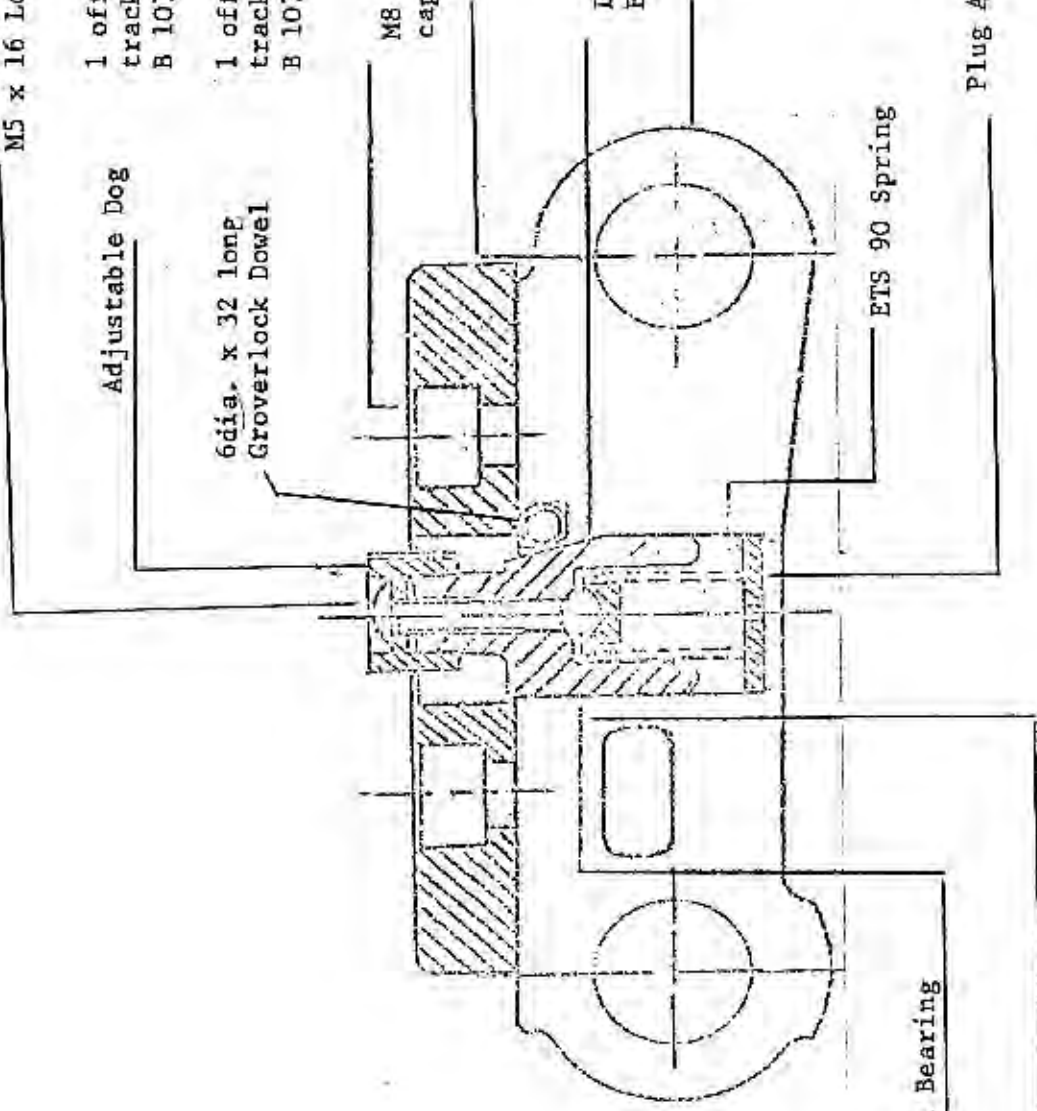
Chain Link
C1079/27

Plug A 1079/190

Adjustable Dog

6dia. x 32 long
Groverlock Dowel

ETS 90 Spring



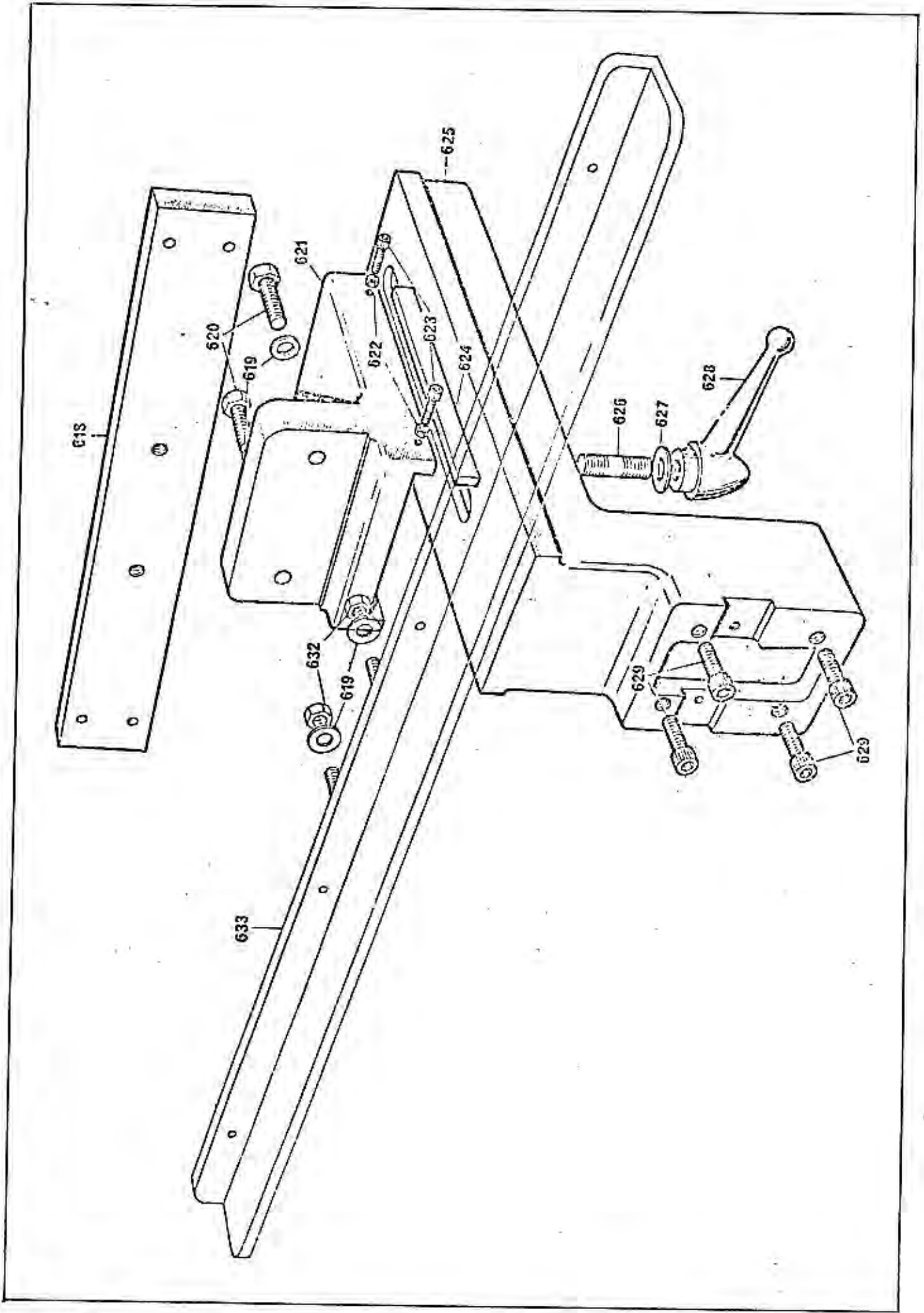
6 dia. Steel Ball Bearing

Spring seating for Disappearing Dog A 1079/233

DISAPPEARING DOG ASSEMBLY

FENCE ASSEMBLY

Ref. No.	Part No.	Description	No. Off
618	WU161	Fence Plate	1
619		3/8in. washer (extra)	4
620		3/8in. whit. x 1.1/4in. long hexagon head bolts	2
621	WU247	Fence slide bracket	1
622		3/16in. whit. nut	2
623		3/16in. whit. x 3/4in. long socket head capscrew	2
624	WU118	Wear Strip for fence bracket	1
625	WU246	Fence support bracket	1
626		1/2in. whit x 1.1/2in. long stud	1
627	WU513	Locking washer	1
628		1/2in. whit. 'Bursgreen' adjustable handle	1
629		3/8in. Whit. x 1 in. long socket head capscrew	4
632		3/8in. nut (extra)	2
633	WU515	Core stock fence (extra)	1



FENCE ASSEMBLY