



INSTRUCTION MANUAL

16" BSW

CIRCULAR SAW BENCH



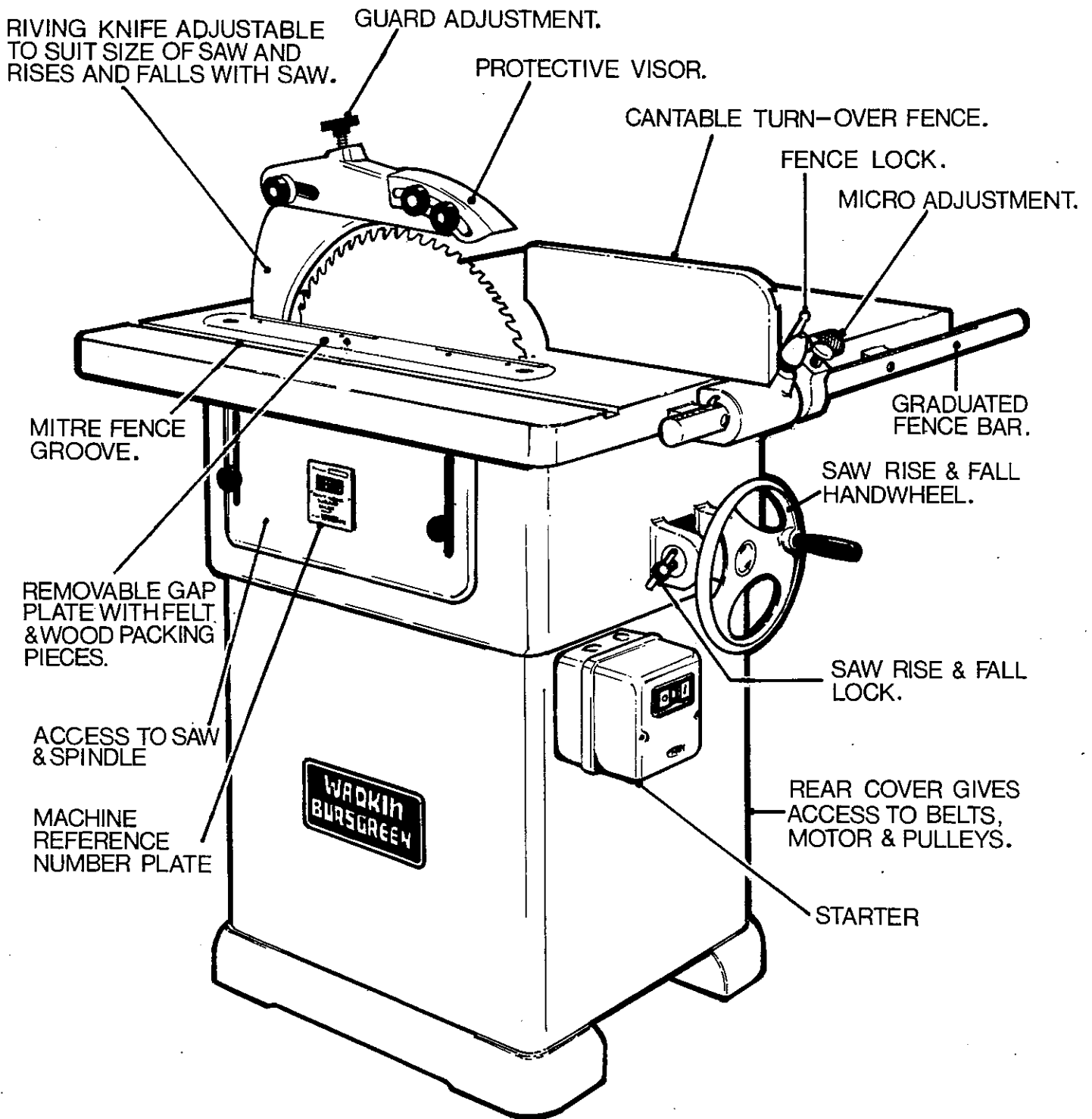
PLEASE INSERT SERIAL
NUMBER OF MACHINE

T: 0116 2769111

F: 0116 2598138

MODIFICATIONS ARE MADE TO THESE BOOKS FROM TIME TO TIME
AND IT IS IMPORTANT THEREFORE THAT ONLY THE BOOK SENT
WITH THE MACHINE SHOULD BE USED AS A WORKING MANUAL

CIRCULAR SAWBENCH TYPE 16"BSW



SECTIONS.

SECTION A.	SPECIFICATION.
SECTION B.	INSTALLATION.
SECTION C.	DESCRIPTION AND OPERATION.
SECTION D.	MAINTENANCE.
SECTION E.	SPARE PARTS LIST.

ILLUSTRATIONS.

SECTION A.	FIG A1.	16" BSW CIRCULAR SAWBENCH.	
SECTION B.	FIG B1.	(3 PHASE) WIRING DIAGRAM.	
	FIG B2.	(1 PHASE) WIRING DIAGRAM.	
	FIG B3.	FOUNDATION PLAN.	
SECTION C.	FIG C1.	CANTING & RIP FENCE CONTROLS.	
	FIG C2.	SETTING & ALIGNING FENCE.	
	FIG C3.	RIVING KNIFE DETAIL	
	FIG C4.	RISE AND FALL UNIT ASSEMBLY.	
	FIG C5.	MITRE FENCE.	
	FIG C6.	MITRE FENCE STOP ROD POSITIONS.	
	FIG C7.	SAW PACKINGS.	
	FIG C8-C12.	OPERATION OF OPTIONAL FEATURES.	
	SECTION D.	FIG D1.	MAIN SPINDLE ASSEMBLY.
		FIG D2.	BELT TENSIONING DEVICES.
		FIG D3.	BELT TENSION.
		FIG D4-D12.	SAW MAINTENANCE.
		FIG D13.	LUBRICATION DIAGRAM.

SECTION ASPECIFICATION:-

MAXIMUM DIAMETER OF SAW	16"	400mm
MAXIMUM SAW PROJECTION	5½"	140mm
SIZE OF TABLE	28" x 36½"	700 x 925mm
MAXIMUM DISTANCE SAW TO FENCE	24"	600mm
FENCE DIMENSIONS	13" x 4½"	330 x 115mm
FENCE CANTS OVER TO	45°	45°
RISE & FALL OF SAW SPINDLE	4"	100mm
SPEED OF SAW SPINDLE	2850 RPM	2850 RPM
MOTOR HORSE POWER	5.5 HP	4 Kw.
DIAMETER OF SAW BORE (OPTIONAL)	1¼" or 30mm & 32mm	
DIAMETER OF DRIVING PIN	½"	12mm
NETT WEIGHT	500 lbs	230 Kg.
GROSS WEIGHT	680 lbs	310 Kg.
SHIPPING DIMENSIONS	35 cu. ft.	1.0m ³

SECTION BInstallation:-

Remove protective anti-rust coating from bright parts by applying a cloth soaked in paraffin or other solvent.

Wiring:-

The motor and control gear have been wired in before despatch, therefore all that is required to be done is to connect the mains supply to the starter, or isolator where fitted.

POINTS TO NOTE WHEN CONNECTING TO POWER SUPPLY.

- 1 - Check voltage, phase and frequency
- 2 - It is important that the correct cable is used to deliver the correct voltage to the starter. RUNNING ON LOW VOLTAGE WILL DAMAGE MOTOR. (SEE LIST).
- 3 - Check main line fuses are of correct capacity.
- 4 - Connect line leads to correct terminals (SEE WIRING DIAGRAM).
- 5 - Check all connections are sound.
- 6 - Check spindle rotates in correct direction. If not reverse any two of the line lead connections.

FAILURE TO START:-

- 1 - Fuses have blown or have not been fitted.
- 2 - Isolator switch has not been closed.
- 3 - Lock off or stop button (when fitted) has not been released.
- 4 - Supply not available at machine.

STOPPAGE DURING OPERATION & FAILURE TO RESTART:-

- 1 - Overloads have tripped. If hand re-set, set by pressing button. If automatic they will re-set after a short period.
- 2 - Fuses have blown.

<u>VOLTAGE.</u>	<u>PHASE.</u>	<u>CYCLES</u>	<u>HP</u>	<u>S.W.G. TINNED COPPER WIRE.</u>	<u>AMPS</u>
220	3	50	1	25	15
340/420	3	50	1	30	8.5
200/250	1	50	1	23	20
220	3	60	1	25	15
400/550	3	60	1	30	8.5

WIRING FOR 3 PHASE MEM. ADS. STARTER

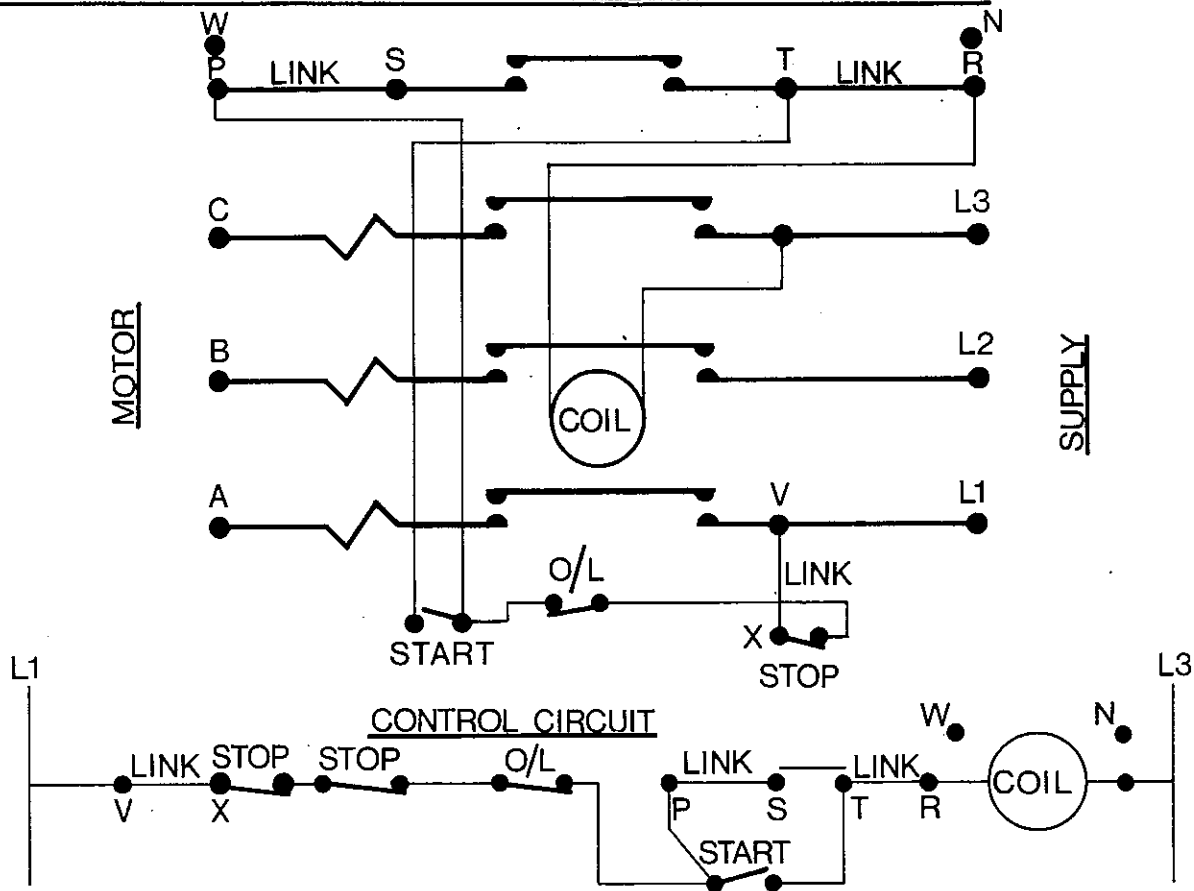
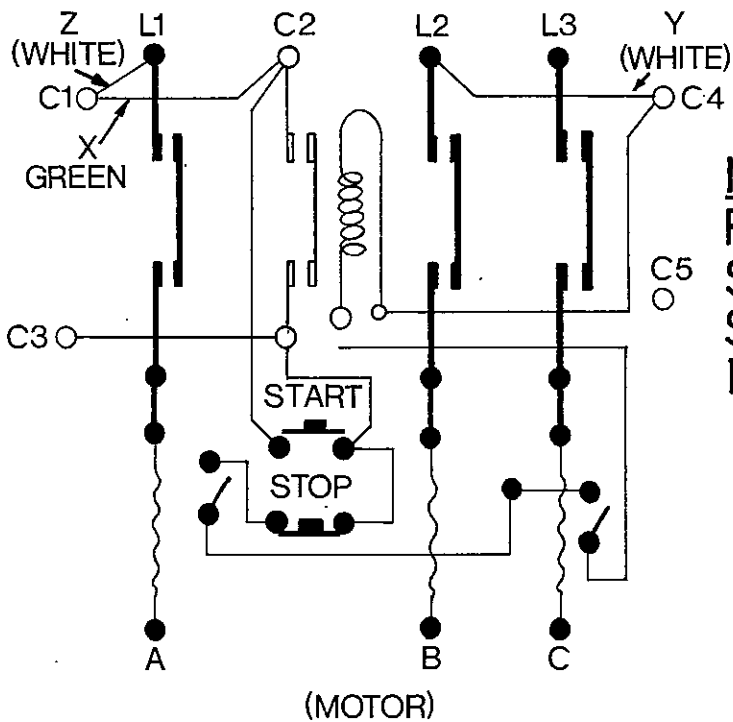


FIG B1

WIRING FOR 3 PHASE & 1 PHASE MEM. A.L.S. STARTER.



NOTE
 FOR SINGLE PHASE
 SUPPLY CONNECT
 SUPPLY TO L1 & L2
 MOTOR TO A & B.

FIG B2

FOR ANY OTHER TYPE OF STARTING SEE
 SEPARATE WIRING DIAGRAM ENCLOSED
 INSIDE STARTER BOX.

Foundation:-

The machine should be levelled and bolted down firmly. For mounting into concrete, 6" to 8" square holes should be cut in the floor and rag bolts fitted, after which the holes should be run with cement. For mounting on wood floors coach bolts will be found adequate. (see Fig. B3.)

SECTION CCANTING & RIP FENCE CONTROLSQUICK ADJUSTMENT:-

The fence slides on a round bar with a rule incorporated into it. To adjust the fence follow the under mentioned procedure:-

1. Unlock lever 'A' and screw 'B' (Fig.C.1.)
2. Slide the fence along the bar until the required dimension is indicated against the pointer on the fence bracket.
3. Lock lever 'A' firmly to secure in position.

FINE ADJUSTMENT:-

After adjusting the fence by the above method provision is made for precise setting by operating the fine adjustment feature. To operate follow under mentioned procedure.

1. Ensure lever 'A' is UNLOCKED and screw 'B' is LOCKED firmly. (Fig.C.1.)
2. Turn knurled hand screw 'C' in direction required in order to draw the fence along the rule bar to or away from the saw and to the required setting.
3. Lock lever 'A' firmly.

CANTING:-

To cant fence follow under mentioned procedure (Fig.C.1.)

1. Unlock lever 'D' and allow fence to pivot over to required angle.
2. Unlock lever 'E' allowing fence plate to drop down until the lower edge of the plate lies flat on the table surface.
3. Lock levers 'D' and 'E' firmly.

FENCE POSITIONING:-

The fence plate is designed to slide along the table in order to compensate for different sizes of saws which may be used. By unlocking lever 'E' the plate may be slid along dovetail slot in the back of the fence to the required position, after which locking lever 'E' will fix the fence firmly in place.

NOTE:- For crosscutting swing fence over the rule bar to clear the table

FENCE SETTING AND ALIGNING:-

On despatch from the works the movements of the fence have been finely adjusted for accurate cutting by the provision of the setting screws at points F.G.H.I. (FIG C2). These adjustments have separate uses, and should only be re-set to compensate for wear which may take place from constant use. The separate uses of these points are as outlined underneath:-

POINT F:- is an eccentrically turned centre which allows the fence to be set parallel to the saw, or to be set in or out as required.

POINT G:- is a true centre which allows slackness to be removed between centres F and G.

POINT H:- is a jacking point which provides a positive stop which will not allow the fence to be pulled up further than 90 degrees to the table when set correctly.

POINT I:- is also a jacking point which brings centres F and G parallel to the table for true canting action of the fence.

NOTE:- SET ALIGNMENT ONLY WITH CENTRE F. DO NOT PACK BETWEEN BACK PLATE AND FENCE AS THIS CAN CRACK THE CASTINGS.

4- $\frac{3}{8}$ DIA BOLTS

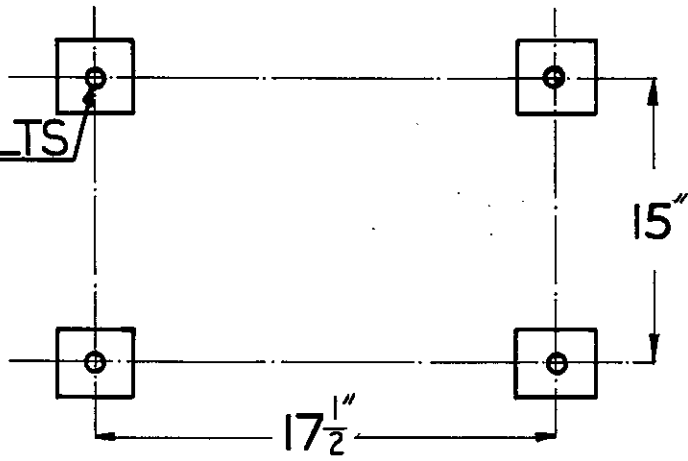


FIG B3

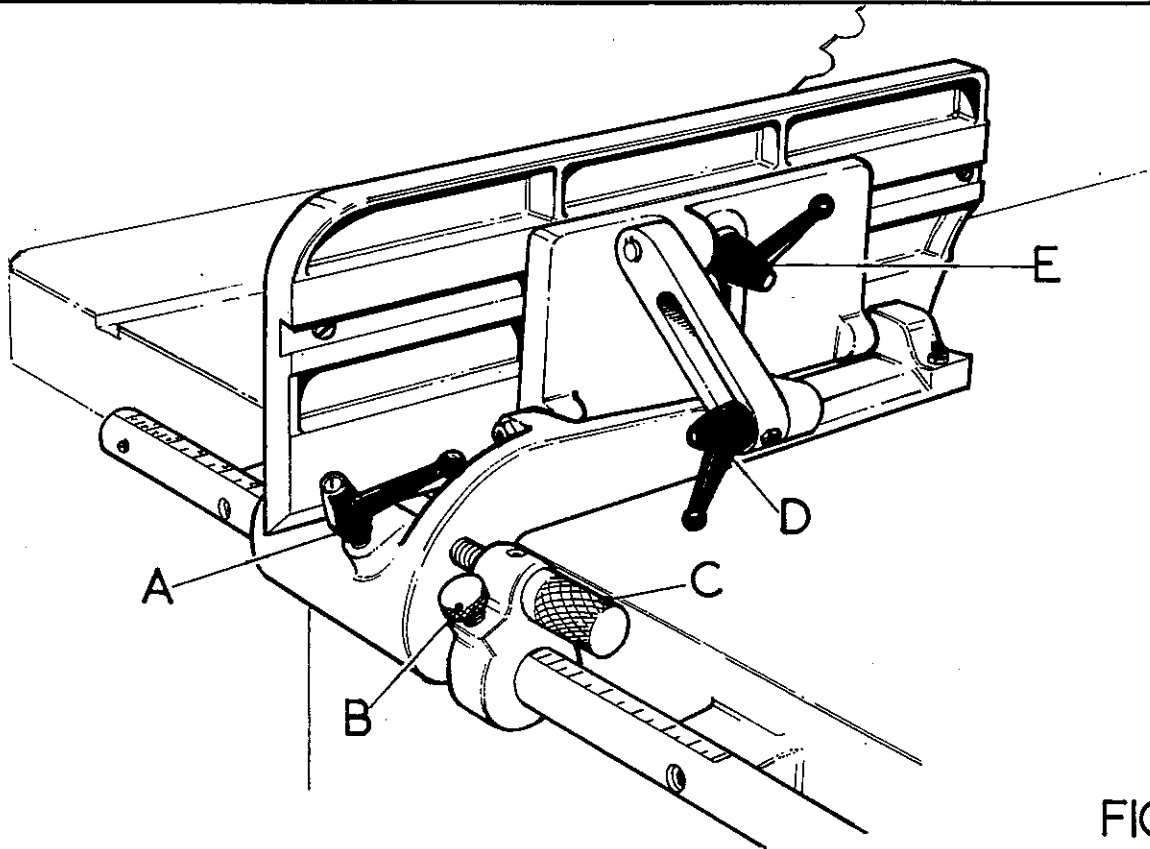
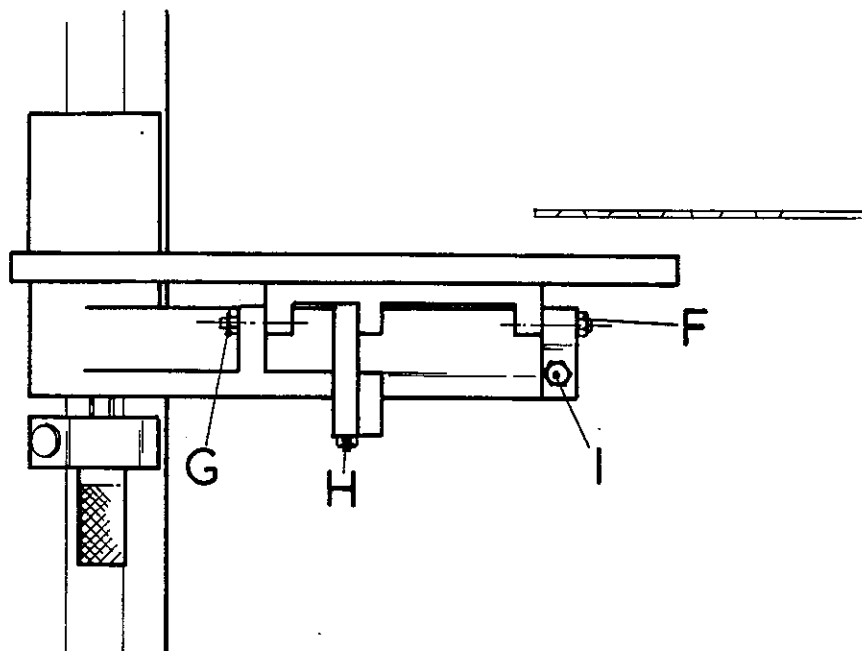


FIG.C1



FIGC2

RISE AND FALL CONTROLS:-

By turning handwheel 'J' (fig. C4) the saw may be raised or lowered between the maximum and minimum position as given in section 'A' specification. Under no circumstances should this dimension be varied. It is important after operating the rise and fall that lever handle 'K' is locked firmly before running the saw.

The rise and fall handwheel is connected through pivoted yolks at points A. & B. (FIG C4.) At the handwheel end of the screw a thrust race C is fitted to give free rotation when in use. It is therefore important that the pivots and screw are cleaned and lubricated regularly and that the thrust race is oiled according to the maintenance schedule.

RIVING KNIFE PLATE:-

The riving knife plate is situated behind the saw in the saw compartment 'D' (fig. C4.) and allows the riving knife to rise and fall with the saw at a set clearance to the saw teeth. It is important that the area surrounding the radial slot cut in the plate be kept clean and well lubricated to give free movement.

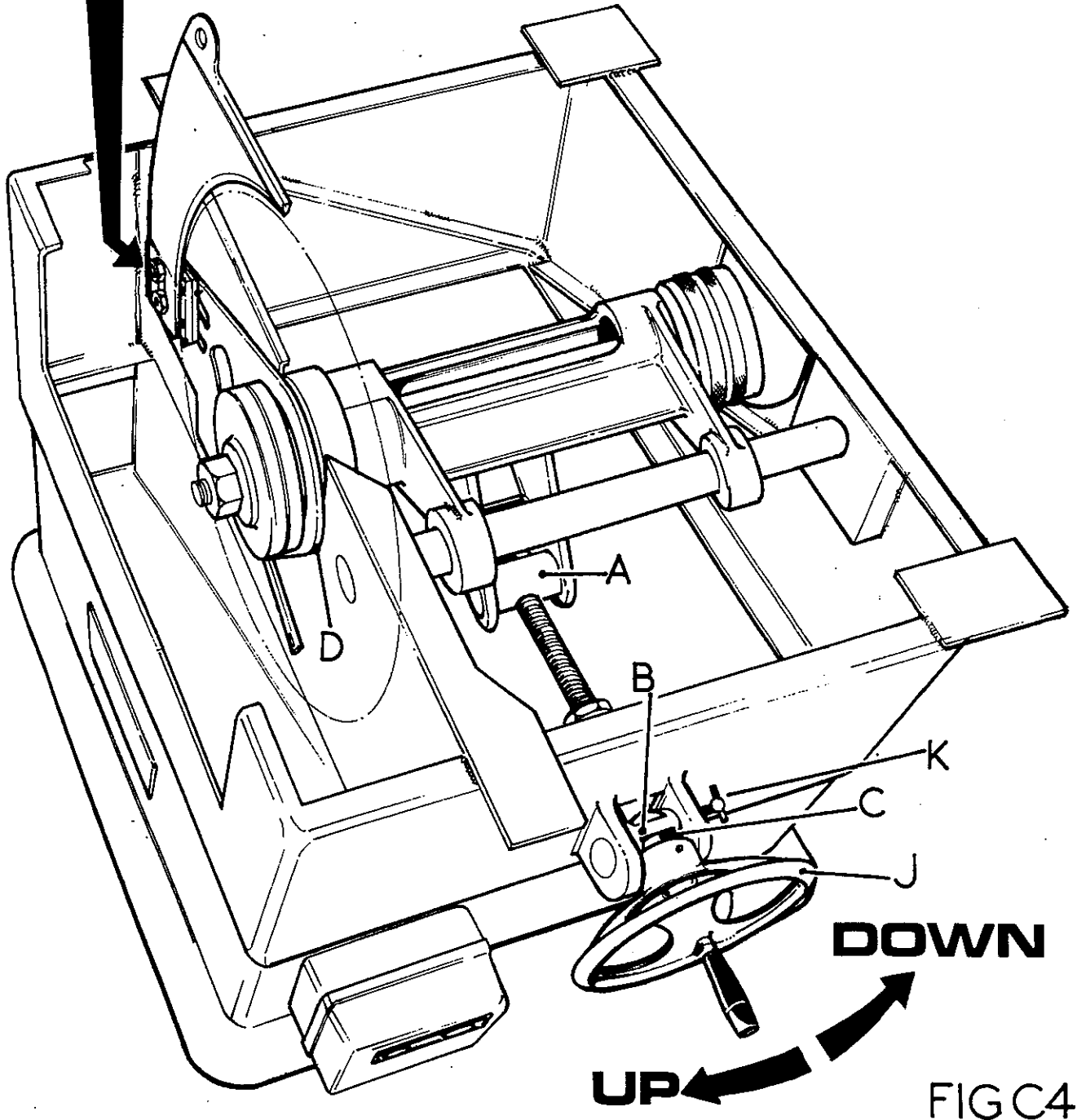
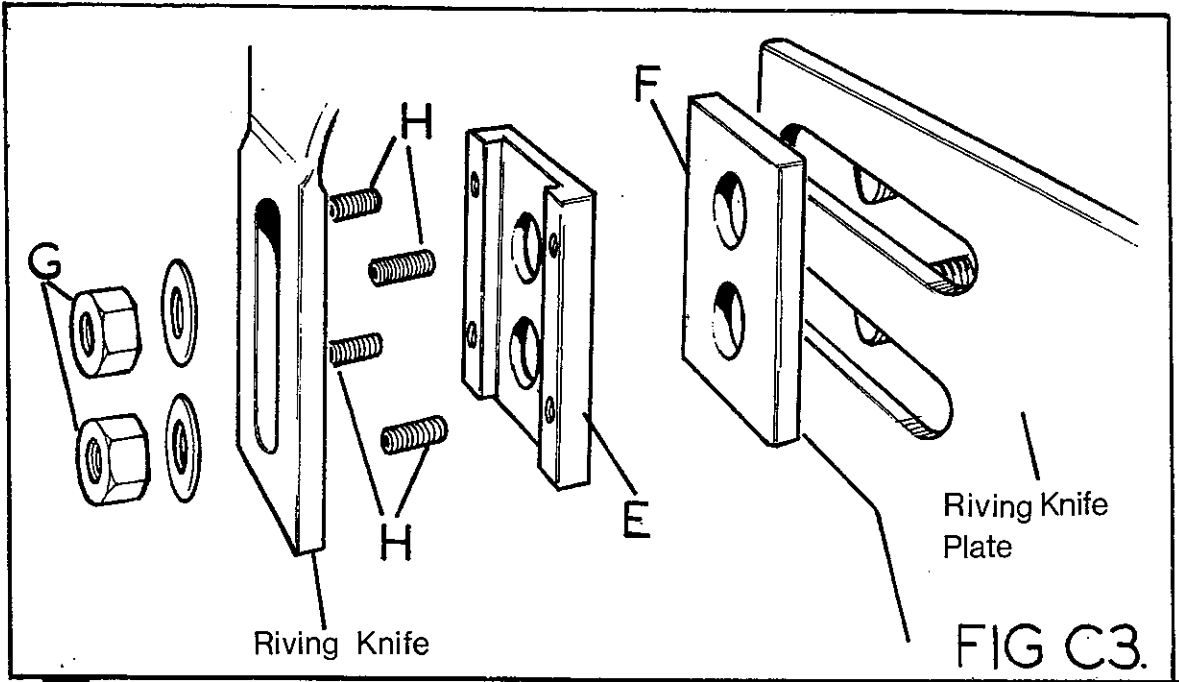
RIVING KNIFE HOLDER DETAIL

The riving knife is supplied in the inverted position. Remove and fit upright adopting the following procedure:-(figC3)

1. Fit knife into grooved packing piece 'E' and bolt up to solid packing piece 'F' with the $\frac{3}{8}$ " nuts 'G' provided.
2. With saw in place set knife to clear around saw teeth approximately $\frac{1}{4}$ " (6mm) and lock firmly in place with nuts 'G'.
3. If the knife is not in line with the saw, partially slacken nuts 'G' and jack packing piece 'F' out with grub screws 'H' until the knife has equal overhand either side of the saw blade. Lock nuts 'G' firmly.

NOTE:- BEFORE RUNNING, ADJUST SAW GUARD TO GIVE MAXIMUM PROTECTION AND TO CLEAR SAW BLADE. DO NOT RUN MACHINE WITHOUT GUARD IN POSITION.

IMPORTANT:- ENSURE THAT RIVING KNIFE BLADE IS CORRECT THICKNESS FOR SAW USED



MOUNTING SAWBLADES:-

When mounting saws the undermentioned procedure should be followed:-

1. Isolate machine
2. Remove table insert and raise the saw spindle housing into the top position.
3. Remove spindle nut (left hand thread) and front saw flange from spindle.
4. Select blade required depending on type of work which is to be done. Check the blade is in good condition and free from dirt, sawdust and gum, especially where it will be gripped by the saw flange. Mount saw on the spindle checking that the face of the back saw flange is clean and that the saw bore and pin hole centres fit correctly onto those on the flange.
5. Check that the saw teeth point towards the front of the machine before replacing the flange and locking up firmly with the spindle nut.

IMPORTANT:- ENSURE SPINDLE RUNS IN CORRECT DIRECTION, REFER TO SECTION

B (ELECTRICS)

NOTE:- IF THE FLANGE OR SAW FACES ARE NOT CLEAN THIS CAN CAUSE VIBRATION

DUE TO THE SAW RUNNING OUT-OF-TRUE,

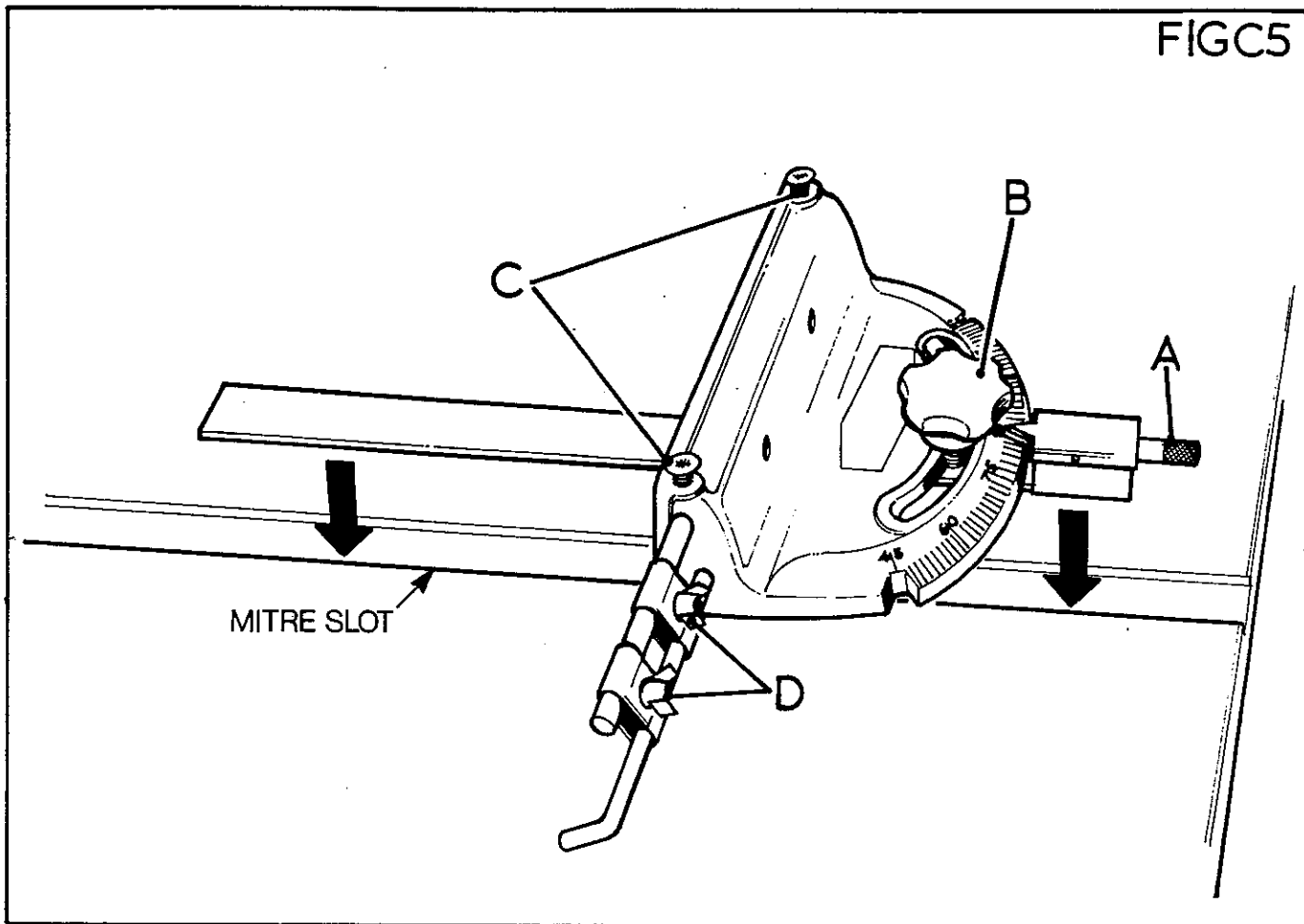
NITRE FENCE (fig. C5) (EXTRA.)

The mitre fence is fitted into the groove provided on the saw table, which should be kept clean. A scale is provided to indicate accurate setting, and a positive stop 'A' is incorporated in the scale to give quick setting at 90° and 45° to the saw. The plastic handwheel 'B' locks the mitre fence firmly in any position.

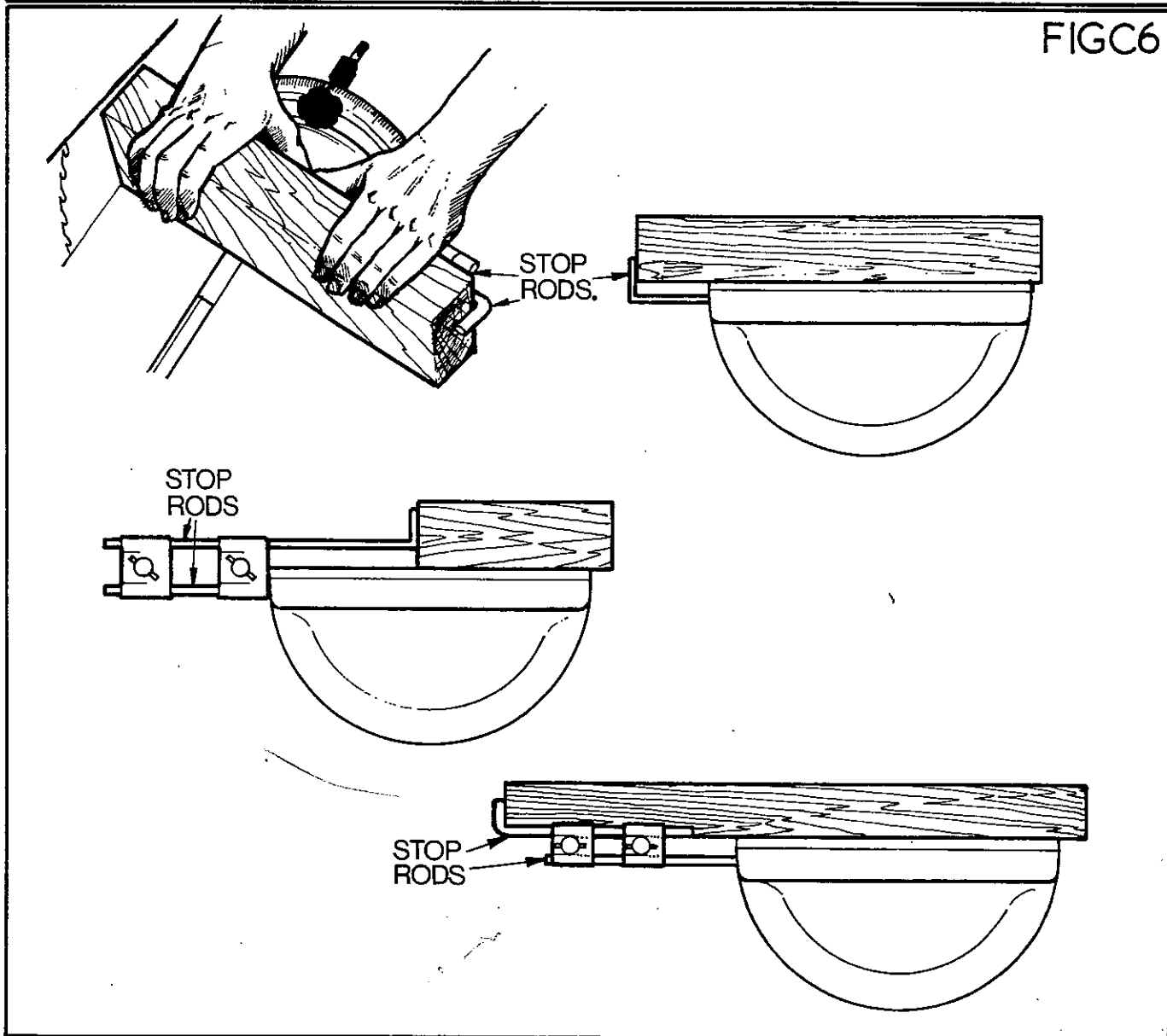
Accurate repetitive cutting can be obtained by use of the stop rods (fig. C5.)

The rods are held in the fence with the thumbscrews 'C' and the stop rods by the two clamps 'D'. To adjust the stop rods slacken clamps 'C' and 'D' and slide the rods into the position required as illustrated in (fig. C6.)

FIGC5



FIGC6



SAW PACKING.

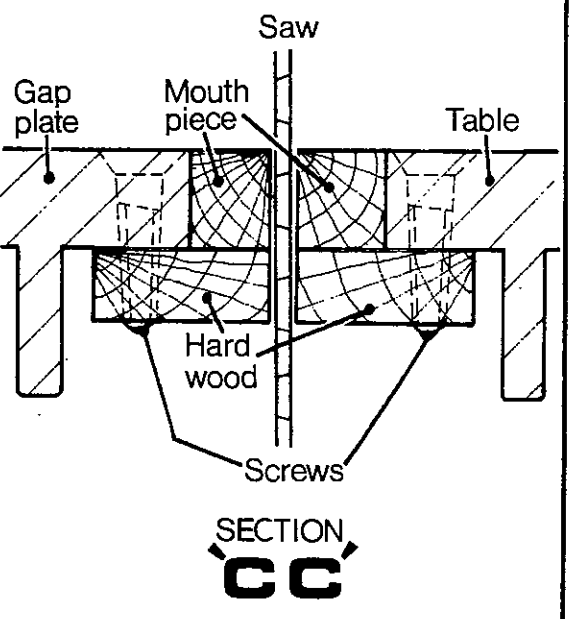
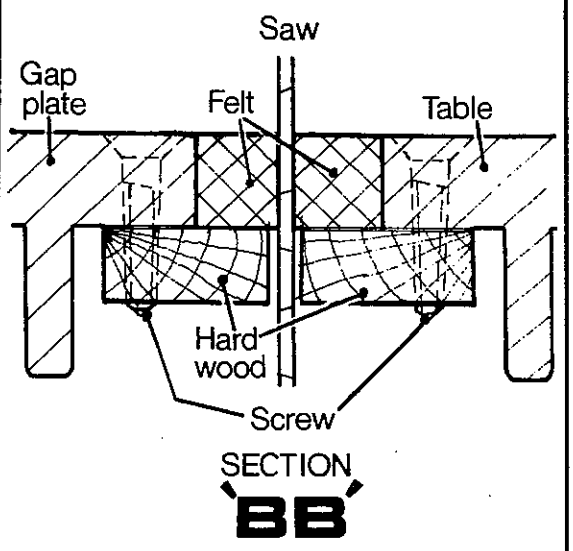
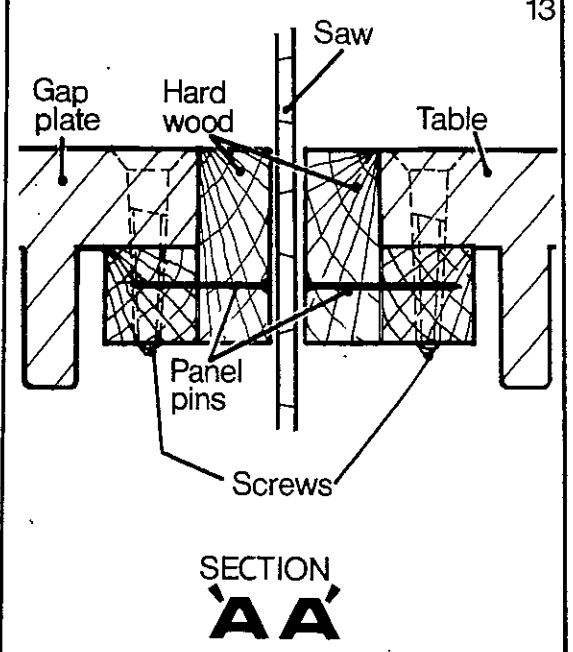
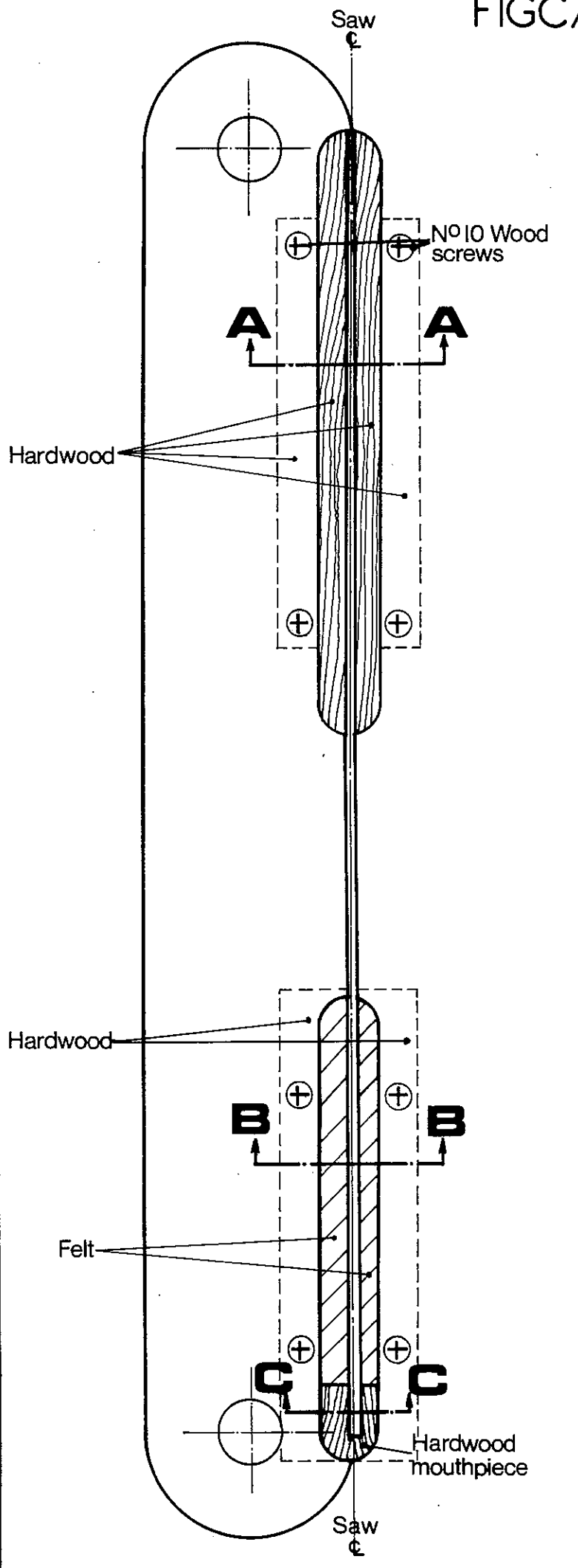
It is usual to provide a saw blade with some form of packing, but it is not intended that this packing be used as a guide for buckled or out-of-true saws. The idea of fitting packing pieces into the table and gap plate is to steady the saw, but it should be noted that the packing must not be tight as this will generate heat, resulting in a consequent loss of tension in the blade.

The arrangement of the saw packings are in such a way that a hardwood mouthpiece of a length extending beyond the depth of the saw teeth retains the felt packing pieces in place. Also wood strips secured to the underside of the table and to the front of the gap plate support the felt in position. At the rear of the gap plate and table similar wood strips close the saw gap and provide a guide for the saw. (SEE DIAGRAMS OPPOSITE.)

It should be noted that after some time, the packings will need to be renewed, and should not be allowed to fall into bad condition.

The provision of the felt inserts allow application of a small amount of lubricating oil, which not only cleans the saw, but also reduces heat and burning whilst running. It is therefore important that, at every opportunity, the felt pieces are lubricated.

NOTE:- REPLACEMENT LENGTHS OF FELT $\frac{1}{2}$ " x $\frac{7}{16}$ " x 4".



EXTRA EQUIPMENT:-

The following items are supplied to special order and are fitted and operated as underlined below.

PILLAR SAW GUARD ASSEMBLY:- If this unit is supplied to be added to the standard machine, holes should be drilled in the table as detailed in (FIG C9) To raise and lower the guard, unlock lever 'A' and turn handle 'B' (FIG C8) To position the guard on centre with the saw, unlock lever 'C' and slide the guard pillar 'D' until the guard is in the correct position. To centralize the guard to clear saw and riving knife, unlock lever 'E' and slide guard back or forward along bar 'F' until correctly positioned. When operating, ensure visor 'G' is set to clear timber by approximately $\frac{1}{8}$ " (3mm) To gain access to saw, the guard cover will hinge up and over to reveal blade.

WOBBLESAW:- To fit a wobble saw, the undermentioned procedure should be followed - (SEE FIG C10.)

1. Remove table gap plate spindle nut (LH thread) and loose saw flange.
2. Ensure spindle and saw flange are free from dirt, and slide wobble saw unit onto spindle and locate on driving peg.
3. Screw special nut QW7A onto spindle and lock firmly.
4. To adjust the amount of wobble, unlock collar 'A' on wobble unit with special 'C' spanner QS71, and move saw complete with inner collars 'B' & 'C' to the required position. When set, re-lock with spanner QS71 and re-fit special gap plate which can be supplied to order manufactured from steel, or made to suit by the owners of the machine as shown in (FIG C11) from wood.

SPINDLE BRAKE:- This device is operated from the brake lever 'A' situated next to the rise and fall handwheel. It is connected to the brake pad by means of a cable 'B' leading from the operating lever, and is spring-loaded to relieve tension when hand pressure is relieved. To tension the cable, turn the knurled nut 'C' on the lever. Where excessive slackness is to be removed, unlock the grub screw 'D' on the pillar at the spindle end and pull cable through, re-lock grub screw and tension cable as mentioned above with knurled screw. When replacing brake pad it is important that new rivets are used and that the rivet heads are below the surface of the pad material. Do not allow brake pad to wear down to rivets as this will score the surface of the special pulley.(FIG C12)

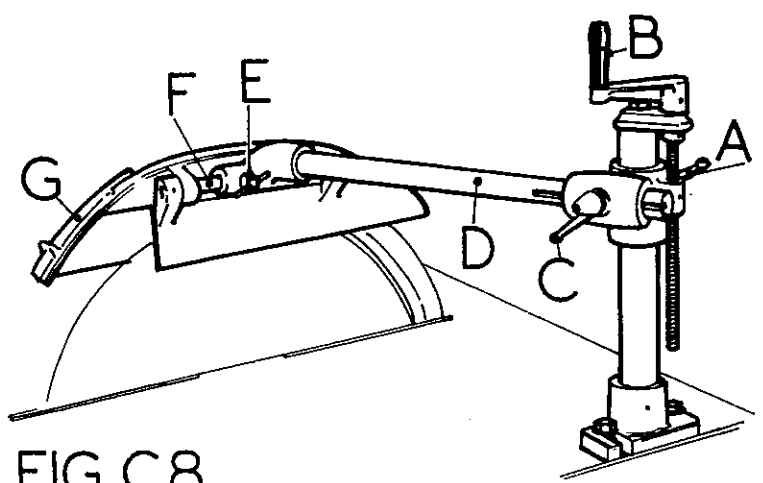


FIG C8

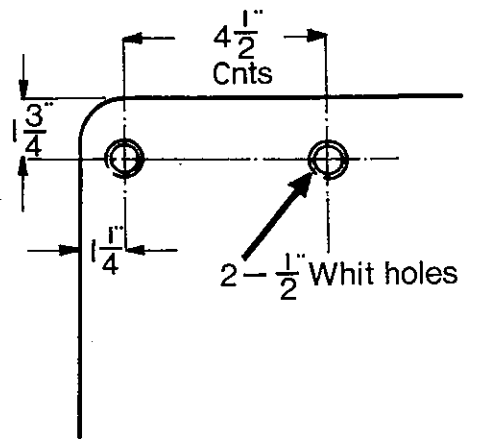


FIG C9

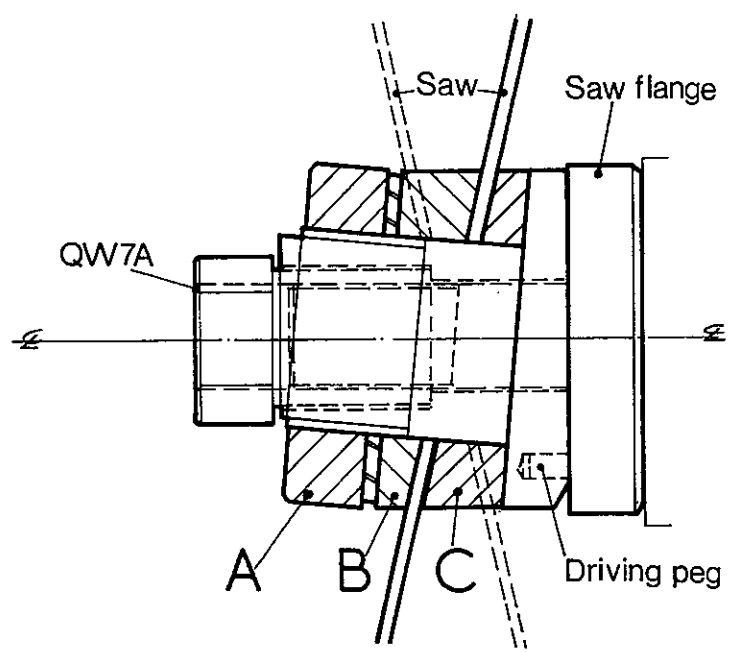


FIG C10

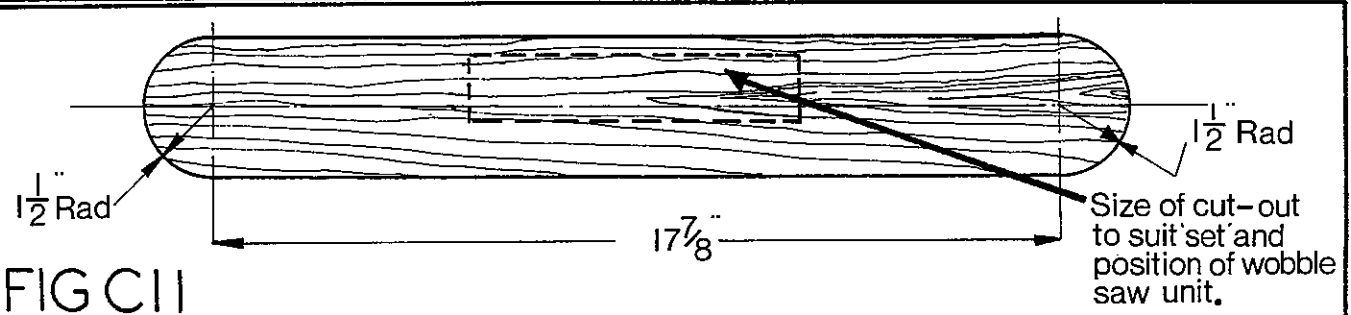


FIG C11

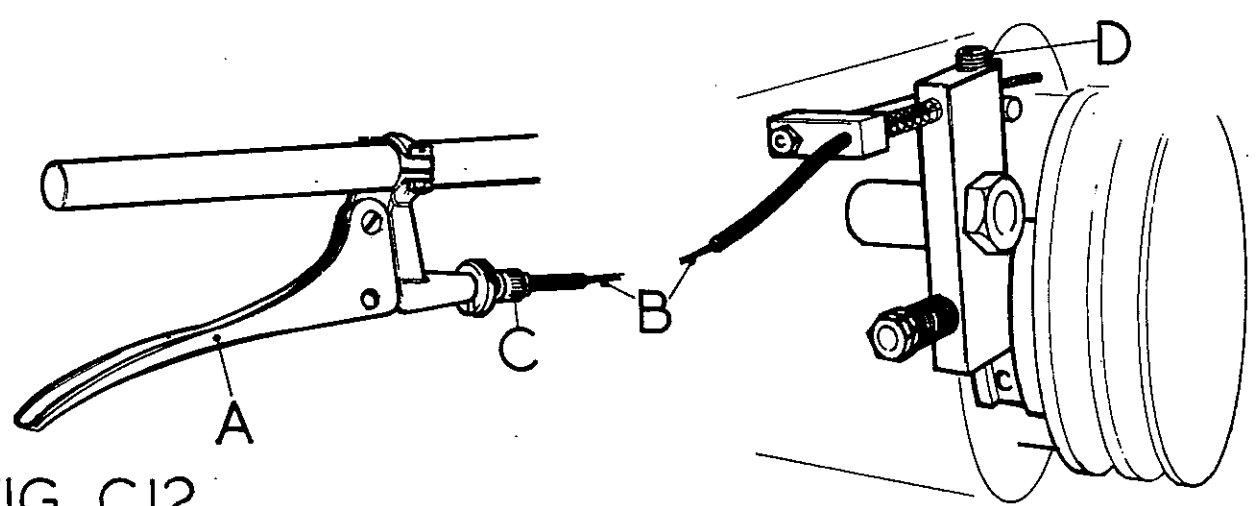


FIG C12

SECTION D. - MAINTENANCE:-

During the operating life of the sawbench it may be found necessary to replace worn or damaged parts (i.e. ball races.) To undertake this procedure follow the undermentioned instructions. (SEE FIG D 1.)

1. ISOLATE MACHINE ELECTRICALLY BEFORE ATTEMPTING ANY WORK.
2. REMOVE GAP PLATE, SAW AND SAW SPINDLE FRONT AND REAR COVERS FROM THE MACHINE.
3. SLACKEN AND REMOVE V-ROPES FROM PULLEYS AND REMOVE TURNBUCKLE AND TENSION STUDS AFTER PACKING MOTOR UP AS SHOWN IN (FIG D.2.)
4. WIND SAW CARRIAGE INTO MIDWAY POSITION.
5. REMOVE COUNTERSUNK SCREW AND WASHER 'A' AND SLACKEN GRUB SCREWS 'B' IN PULLEY 'C' AND REMOVE.
6. REMOVE KEY 'D' AND DISTANCE PIECE 'E'.
7. REMOVE CIRCLIP 'F' AND MOTOR TENSION BRACKET 'G' AND UNSCREW AND REMOVE DUSTCAP 'H'.
8. WORKING AT THE FRONT OF THE SAW SPINDLE, REMOVE NUT 'I' (L.H.THREAD) AND SAW FLANGE 'J'.
9. UNSCREW SAW FLANGE 'K' (L.H.THREAD.)
10. REMOVE RIVING KNIFE PLATE* AND LINK, AND UNSCREW AND REMOVE DUST CAP 'L'.
11. PLACE A WOODEN DRIFT ON THE PULLEY END OF THE SPINDLE AND DRIVE THE SHAFT THROUGH THE HOUSING. BY DOING THIS THE SPINDLE WILL EMERGE FROM THE HOUSING WITH THE SAW END BEARING ON IT. DRIVE THIS BEARING FROM THE SHAFT AND RE-INSERT SHAFT INTO HOUSING KNOCKING SPINDLE THROUGH WITH HAMMER AND DRIFT TO REMOVE THE PULLEY END BEARING.

To re-assemble, reverse above procedure ensuring all original parts are thoroughly cleaned out.

* It should also be noted that the two locknuts on the radial slot in the riving knife plate should only be tightened enough to provide a guide for the motion of the plate and not to clamp or lock the plate in position.

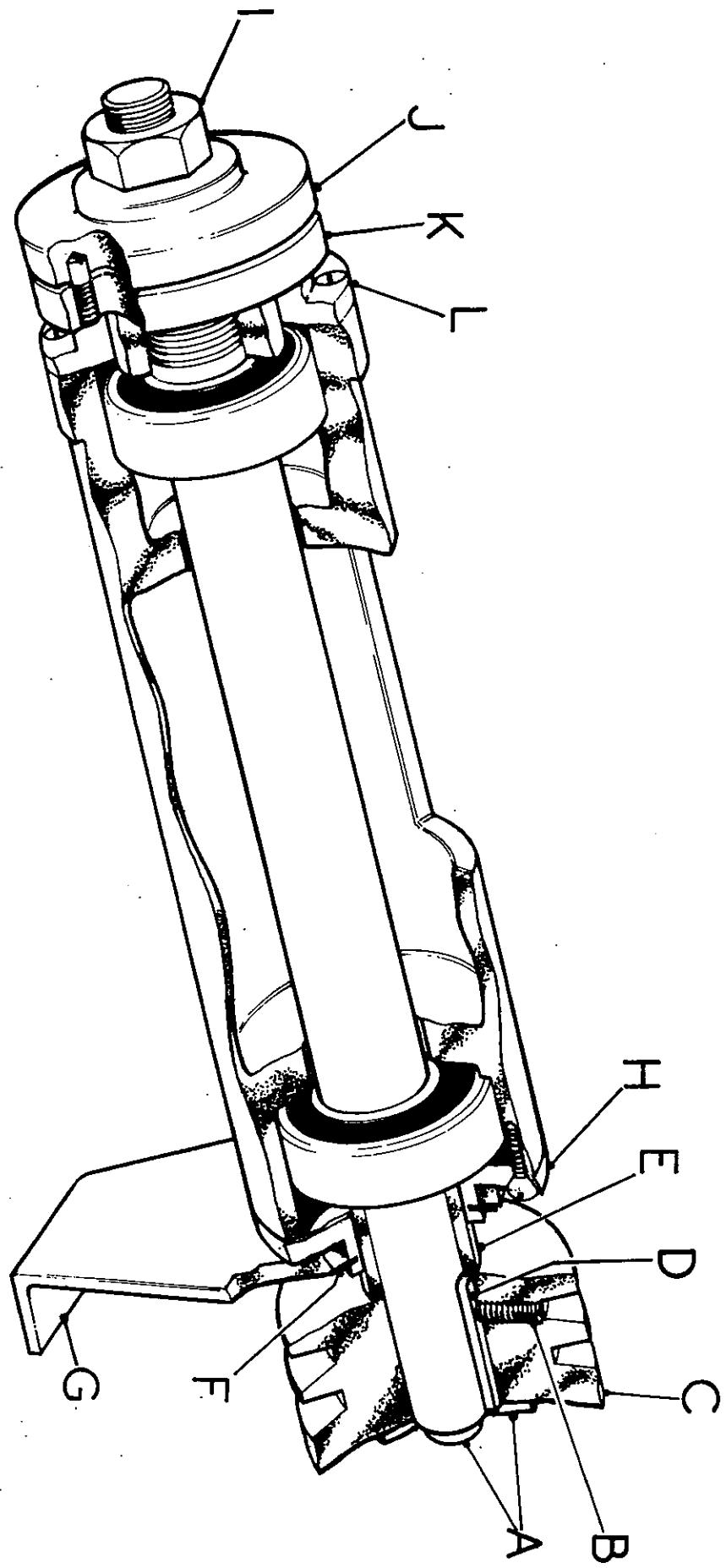


FIG D1

BELT TENSION:-

On the standard machine the drive from the 5.5HP motor (4KW) to the saw spindle is by means of two ALPHA 500 type "V" Belts. To ensure maximum efficiency and life of these belts, it is important that the correct belt tension is maintained at all times from new, especially in the "running in" period. To tension the belts follow the undermentioned procedure. (SEE FIG. D.2.)

By turning turnbuckle 'A' linking the tension studs, the centre distance of the pulleys can be increased to provide greater tension on the belts. To achieve the correct tension, measure the centre distance of the pulleys (FIG D3.) and adjust with the turnbuckle until, whilst applying a force at right angles and central along the belt, the deflection is not greater than $1/64$ " per inch of span - (e.g. 23" span = $23/64$ " deflection.)

REPLACING BELTS:-

To replace belts, decrease pulley centre distance by screwing turnbuckle and thus relieving tension on the belts for their removal. Afterwards retension as given above.

POINTS TO NOTE WHEN MAINTAINING BELT DRIVES:-

1. ALWAYS MAINTAIN CORRECT BELT TENSION.
2. REPLACE WORN BELTS WITH SAME TYPE AS SPECIFIED.
3. ALWAYS REPLACE WORN OR DAMAGED BELTS IMMEDIATELY.
4. ENSURE PULLEYS ARE CORRECTLY ALIGNED.
5. DO NOT PRISE BELTS OVER PULLEYS WITH SCREW DRIVERS OR OTHER SHARP IMPLEMENTS AS THIS CAN DAMAGE BELTS.
6. ENSURE PULLEY GROOVES AND BELTS ARE CLEAN AND REMOVE ANY OIL, GREASE RUST OR BURRS WHICH ARE PRESENT.

FIG D2 ¹⁹

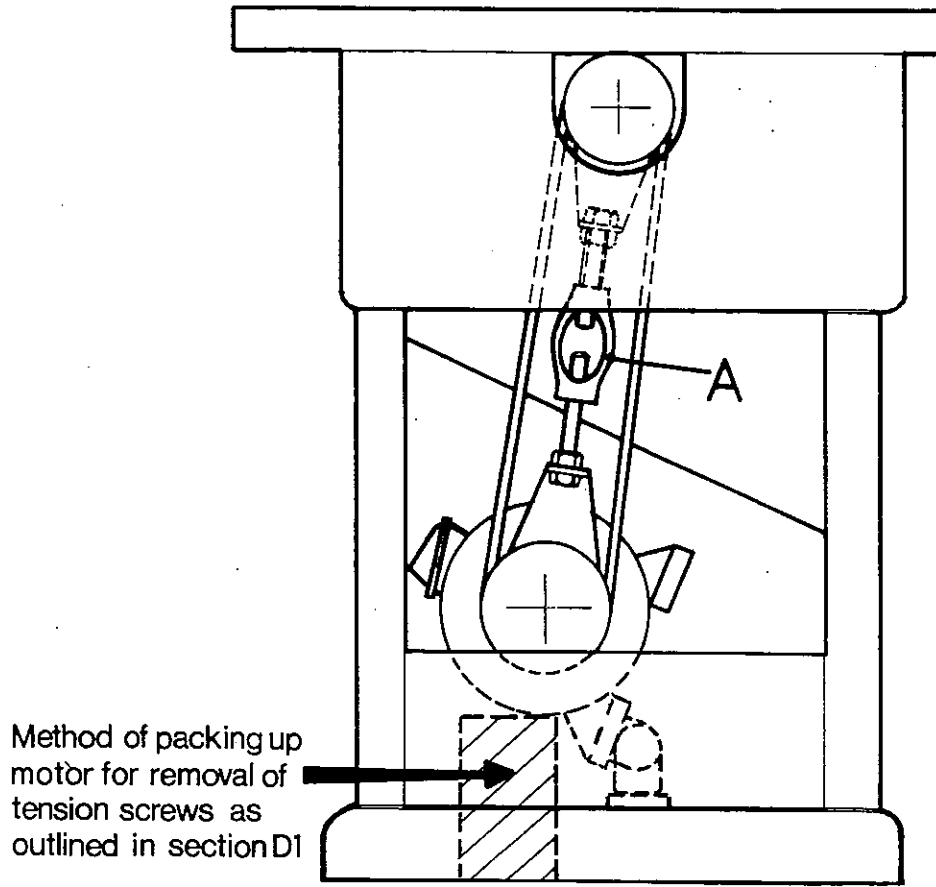
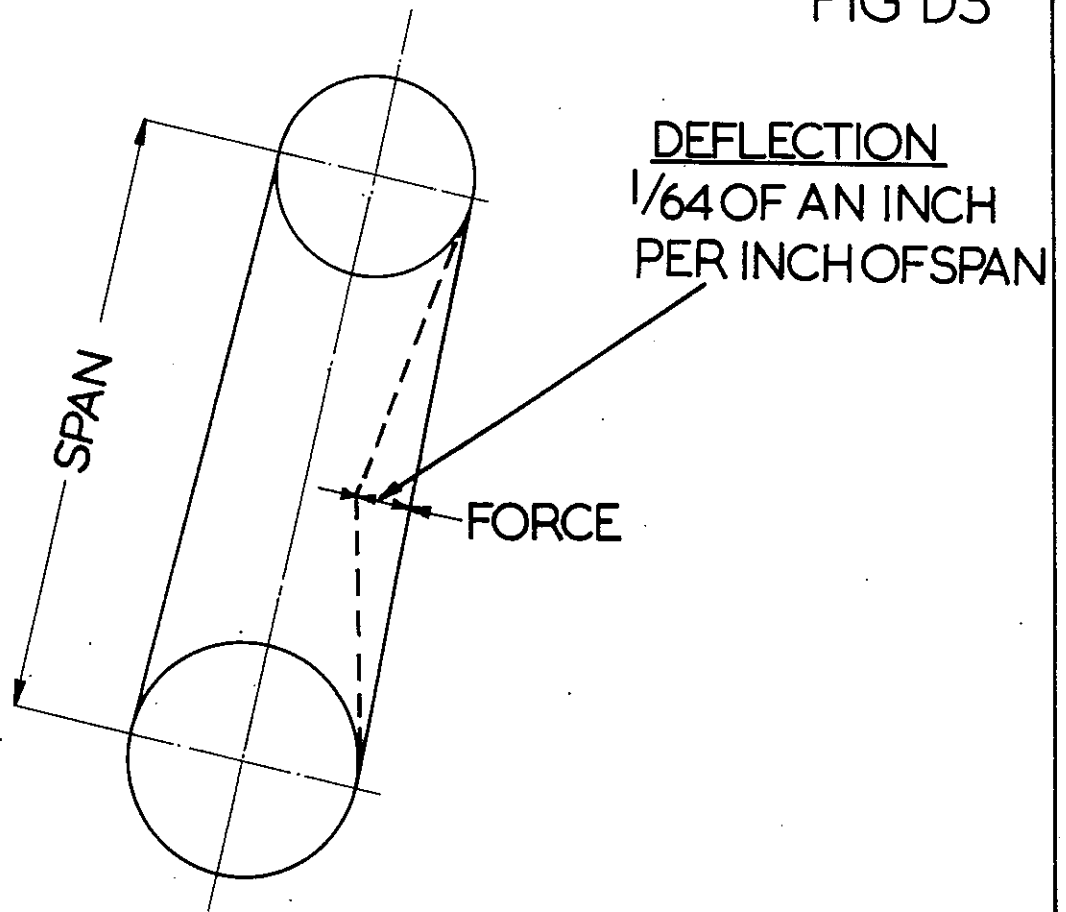


FIG D3



SAW MAINTENANCE:-

Efficient operation of a circular saw depends on true running of the saw spindle, and the saw flanges being perfectly square to the axis of the spindle. The saw must also run at the correct peripheral speed to ensure straight cutting.

RANGING:-

'Ranging down' should be done on a new saw or any saw after the fourth or fifth sharpening. To range down, feed a square-edged abrasive block in a wooden holder (FIG D4.) lightly against the saw teeth whilst running. The saw should then be removed and the tops of the teeth filed lightly to remove the ranging marks.

SAW SHARPENING:-

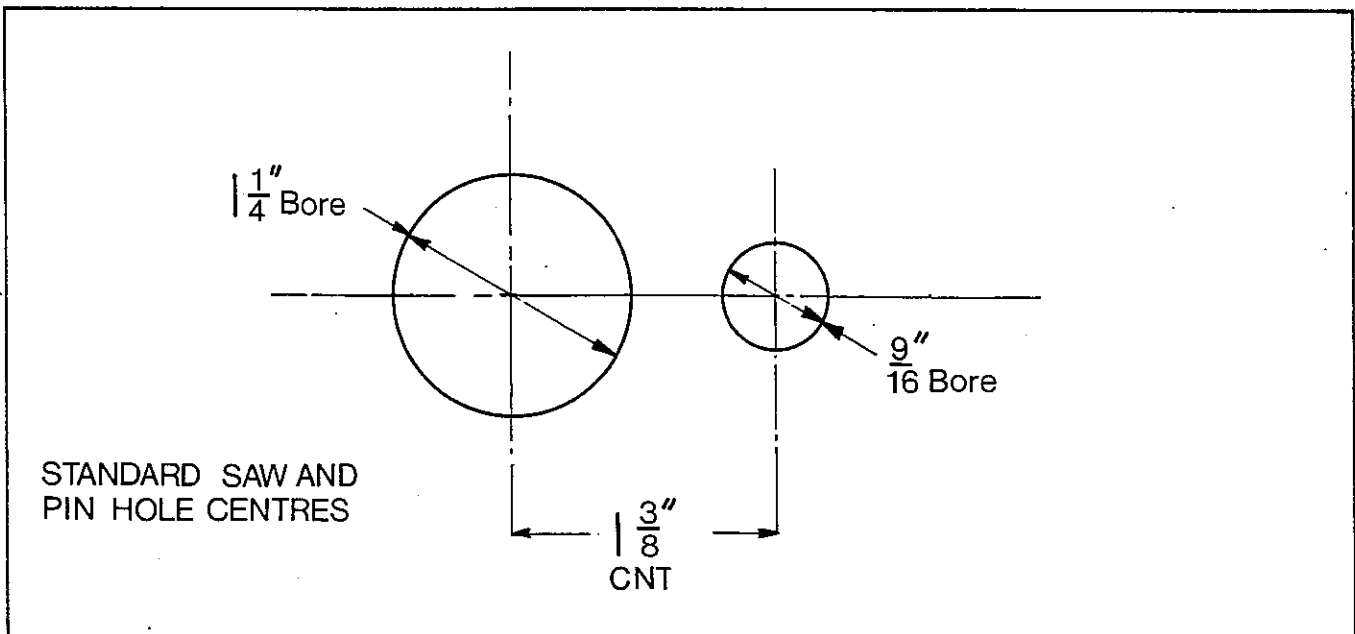
Do not run a saw when blunt. To re-sharpen by hand, hold the saw in a vice as shown in (FIG D5.) With rip saw teeth, chisel edges and square faces are required (FIG D6.) Sharpen by giving each tooth an equal number of strokes with a flat file. At the same time, file the gullet of the saw in the same manner, taking care to keep the gullet well rounded. With cross cut saws points are needed with back and front levels as in (FIG. D7.) In the course of repeated filing, saws lose their original shape and the gullets become shallow. To restore the original profile, it is necessary to grind the saw on a saw-sharpening machine.

SETTING:-

The amount of set should be sufficient to give clearance to the saw body so there is freedom from friction. Saw teeth are generally 'spring set' (i.e.) the teeth are bent alternately to the right or left as shown in (FIG D8) For good sawing, this amount of set should be equal at each side or else the saw will run to one side. To check the set, cut into a piece of timber where the result should be a small, even triangle, as seen in (FIG. D9) The amount of set varies according to the timber being cut, but is usually 0.10" to 0.15" (.3mm. .4mm)

We can supply a small machine for precisely setting saws as shown in (FIG D10) This device will accept saws up to 36" in diameter, and indicates the amount of set by micrometer dial.

For hand setting, small devices can be supplied where it is felt that the number of saws used does not warrant a machine (SEE FIGS.D11 & D12.)



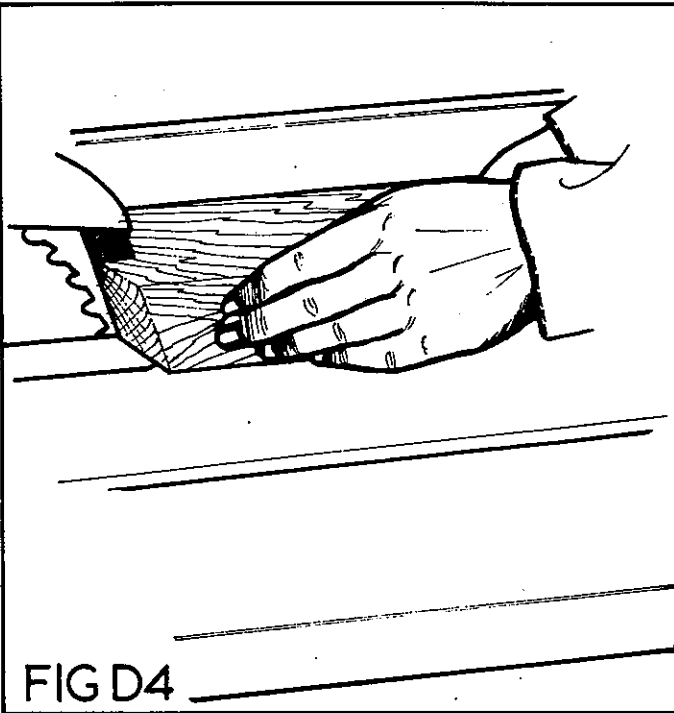


FIG D4

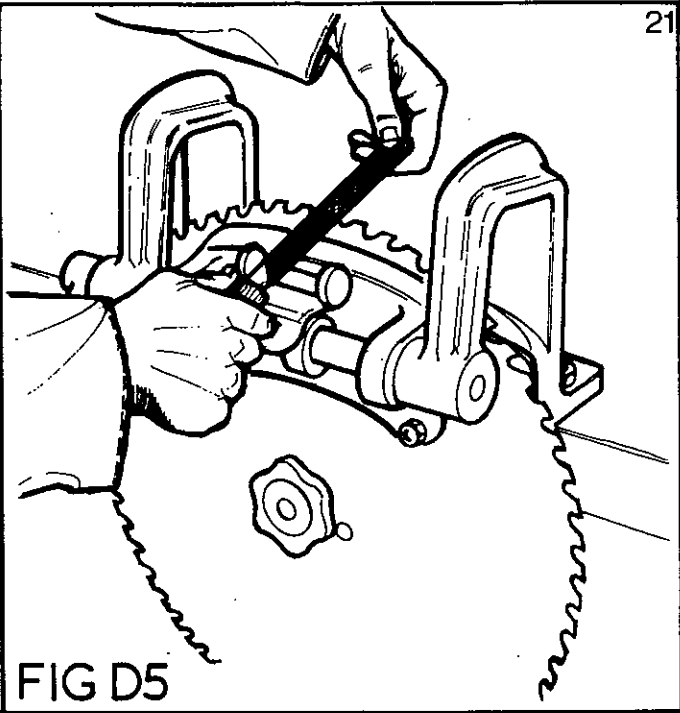


FIG D5

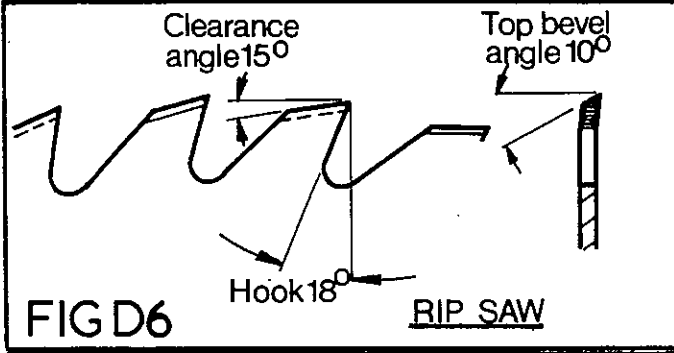


FIG D6

RIP SAW

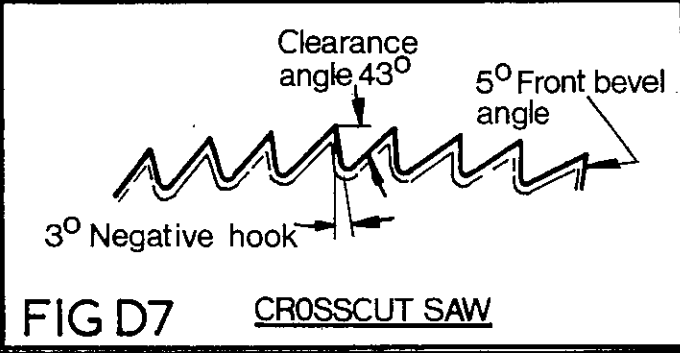


FIG D7

CROSSCUT SAW

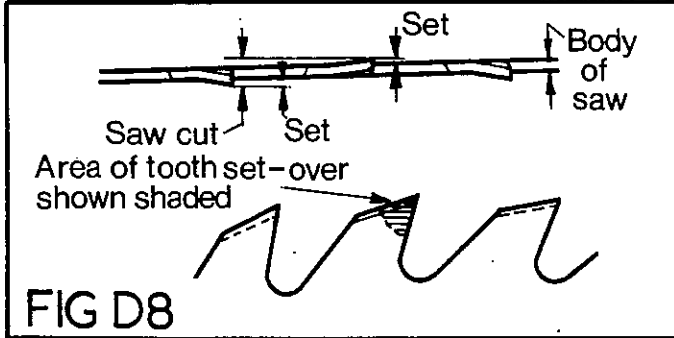


FIG D8

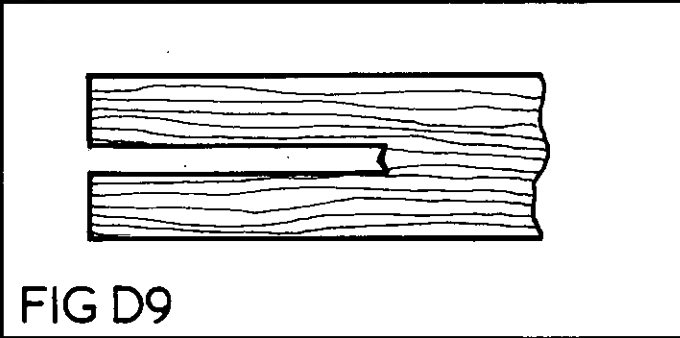


FIG D9

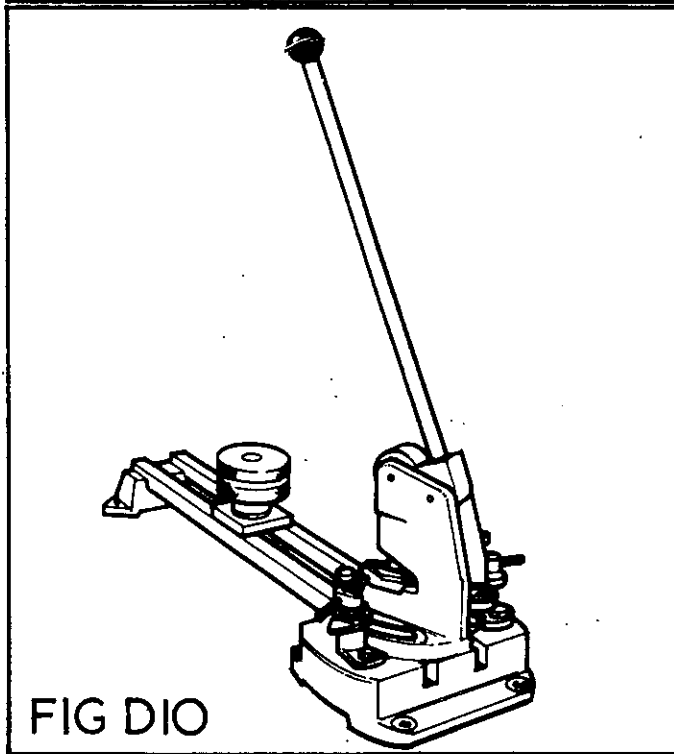


FIG D10

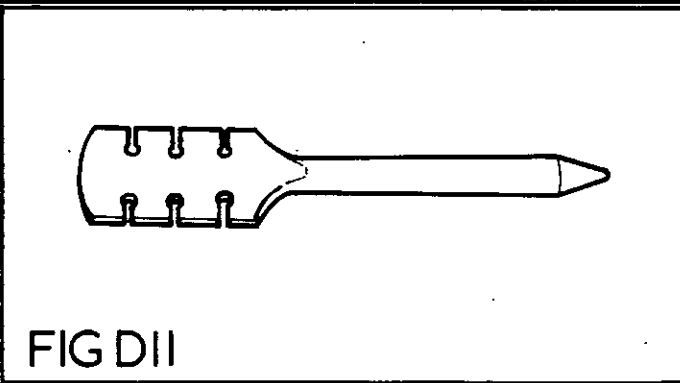


FIG D11

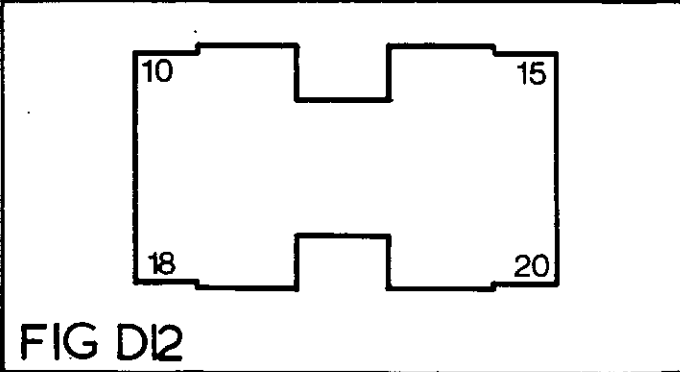
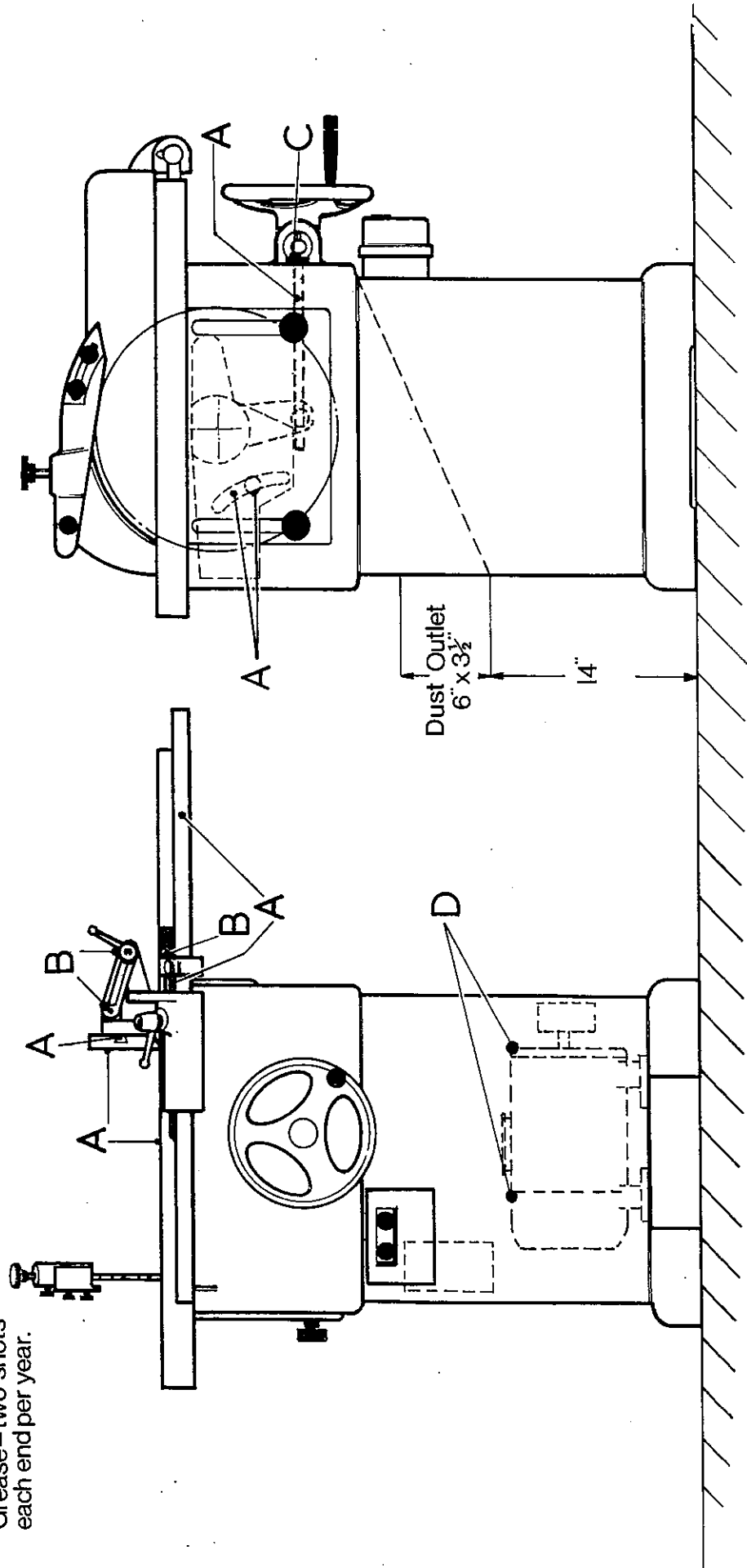


FIG D12

LUBRICATION DIAGRAM

- A—Oil and clean weekly.
- B—Oil weekly.
- C—"THRUST RACE," oil weekly.
- D—Grease—two shots each end per year.



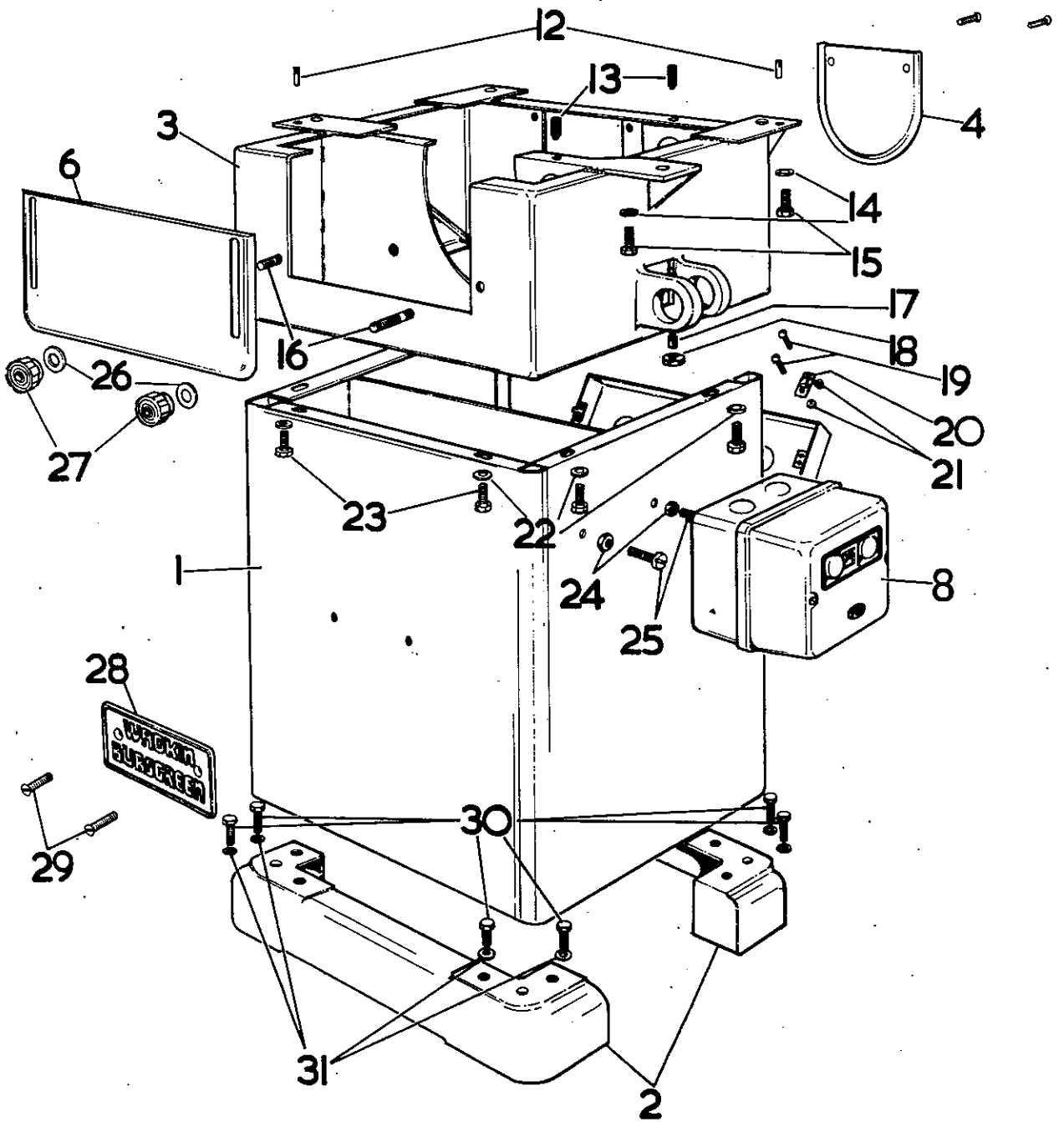
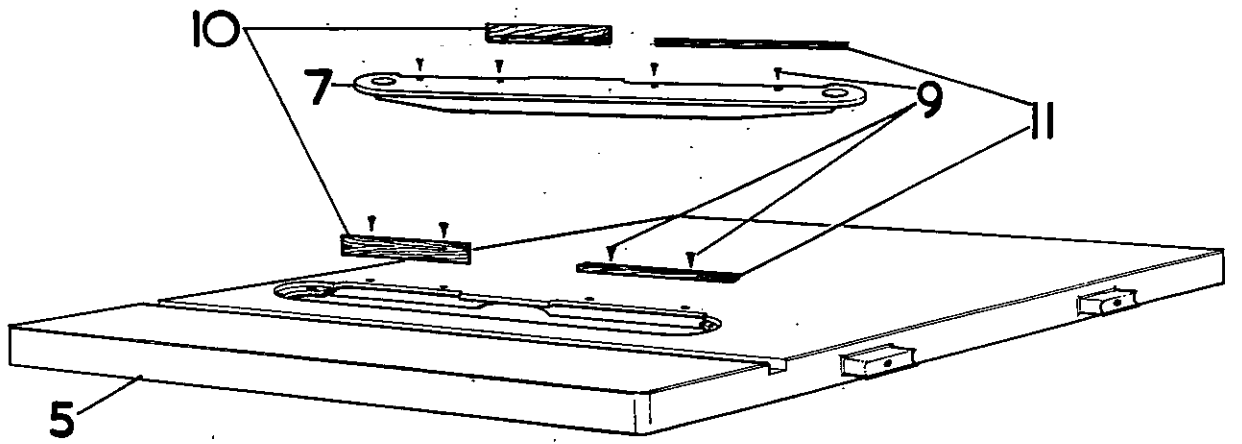
SECTION "E"

SPARE PARTS LISTS

MAIN BASE ASSEMBLY

<u>REF. NO.</u>	<u>PART NO.</u>	<u>QUANTITY.</u>	<u>DESCRIPTION.</u>
1	BSW 536.	1	BASE.
2	1026/10.	2	BASE FEET.
3	BSW 562.	1	FABRICATED BODY SECTION.
4	BSW 503.	1	PULLEY REAR COVER.
5	BSW 560.	1	TABLE.
6	BSW 504.	1	FRONT COVER.
7	BSW 501.	1	GAP PLATE.
8	(MEM		220VOLTS - MEM 816 ADS)
	(A.D.S.		230VOLTS - MEM 826 ADS)
	(STARTERS.		380VOLTS - MEM 836 ADS)
	(415VOLTS - MEM 846 ADS)
	(
FOR SINGLE PHASE MACHINES OR MACHINES WITH SPECIAL ELECTRICAL GEAR PLEASE GIVE FULL DETAILS WHEN ORDERING SPARES.			
9		8	No. 10. WOODSCREWS.
10		2	REAR WOOD SAW PACKINGS.
11		2	FRONT WOOD SAW PACKINGS.
12		2	1" LONG x $\frac{3}{8}$ " DIA. DOWELS.
13		2	$\frac{3}{8}$ " WHIT x $\frac{1}{2}$ " LONG ALLEN PIP SCREWS.
14		4	$\frac{1}{2}$ " WASHERS.
15		4	$\frac{1}{2}$ " WHIT x $\frac{1}{2}$ " LONG HEXAGON BOLTS.
16		2	$\frac{3}{8}$ " WHIT x $1\frac{1}{4}$ " LONG STUDS.
17		1	$\frac{1}{4}$ " WHIT x 1" LONG ALLEN PIP SCREWS.
18		1	$\frac{1}{4}$ " WHIT LOCKNUT.
19		4	$\frac{1}{4}$ " WHIT x $\frac{1}{2}$ " LONG ROUND HEAD SCREWS.
20		2	SPRING DOOR CATCHES.
21		4	$\frac{1}{4}$ " WHIT NUTS.
22		6	5/16" WASHERS.
23		6	5/16" WHIT x $\frac{3}{4}$ " LONG HEXAGON BOLTS.
24		2	$\frac{1}{4}$ " WHIT NUTS.
25		2	$\frac{1}{4}$ " WHIT x $\frac{3}{4}$ " LONG ROUND HEAD SCREWS.
26		2	$\frac{3}{8}$ " WASHERS.
27		2	$\frac{3}{8}$ " WHIT PLASTIC HANDWHEELS.
28		1	WADKIN BURGEE NAMEPLATE.
29		2	$\frac{1}{4}$ " WHIT x $\frac{3}{4}$ " LONG COUNTERSUNK SCREWS.
30		8	$\frac{3}{8}$ " WHIT x $\frac{3}{4}$ " LONG HEXAGON BOLTS.
31		8	$\frac{3}{8}$ " WASHERS.

NOTE:- WHEN ORDERING SPARE PARTS, QUOTE SERIAL NUMBER OF MACHINE ALSO PART NUMBER.

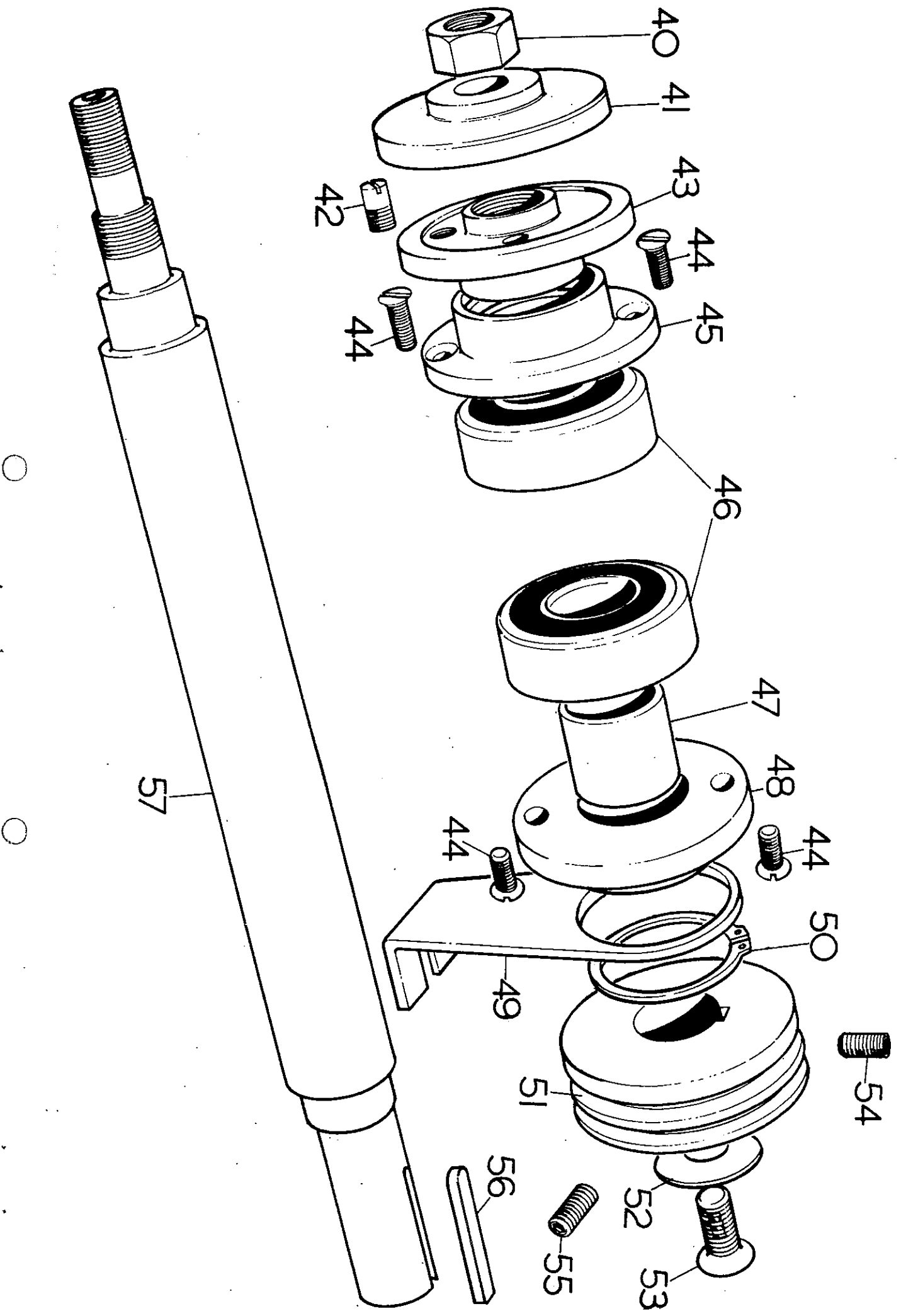


SAW SPINDLE ASSEMBLY

<u>REF.</u> <u>NO.</u>	<u>PART</u> <u>NO.</u>	<u>QTY.</u>	<u>DESCRIPTION.</u>
40	---	1	1 $\frac{1}{4}$ " WHIT FORM LEFT HAND NUT 7 T.P.I.
41	BSW505	1	LOOSE SAW FLANGE.
42	BSW80	1	DRIVING PEG.
43	BSW506	1	FIXED SAW FLANGE.
44	---	4	5/16" WHIT x $\frac{3}{4}$ " LONG COUNTERSUNK SCREWS.
45	BSW558	1	SPINDLE ENDCAP (SAW SIDE.)
46	---	2	SKF6308-2RS SEALED FOR LIFE BEARINGS.
47	BSW515	1	PULLEY SPACING COLLAR.
48	BSW517	1	SPINDLE ENDCAP (PULLEY SIDE.)
49*	BSW519	1	TENSION BRACKET.
50	---	1	2 $\frac{1}{2}$ " EXTERNAL CIRCLIP.
51	BSW527	1	SPINDLE PULLEY.
52	BSW61	1	SPINDLE PULLEY RETAINER WASHER.
53	---	1	1" LONG x $\frac{3}{8}$ " WHIT COUNTERSUNK "SELF- LOK" ALLEN SCREW.
54	---	1	5/16" WHIT x $\frac{3}{4}$ " LONG ALLEN GRUB SCREW.
55	---	1	5/16" WHIT x 1" LONG ALLEN GRUB SCREW.
56	---	1	$\frac{7}{8}$ " LONG x 5/16" WIDE x $\frac{1}{4}$ " THICK ROUNDED ENDS KEY.
57	BSW514	1	SPINDLE.

* - TENSION BRACKET NO. BSW519, 2 OFF PER MACHINE. SEE MOTOR RISE AND
FALL GEAR ILLUSTRATION ON PAGE REFERENCE NO. 127.

NOTE:- WHEN ORDERING SPARE PARTS QUOTE SERIAL NUMBER OF MACHINE AND
PART NUMBER OR REFERENCE.

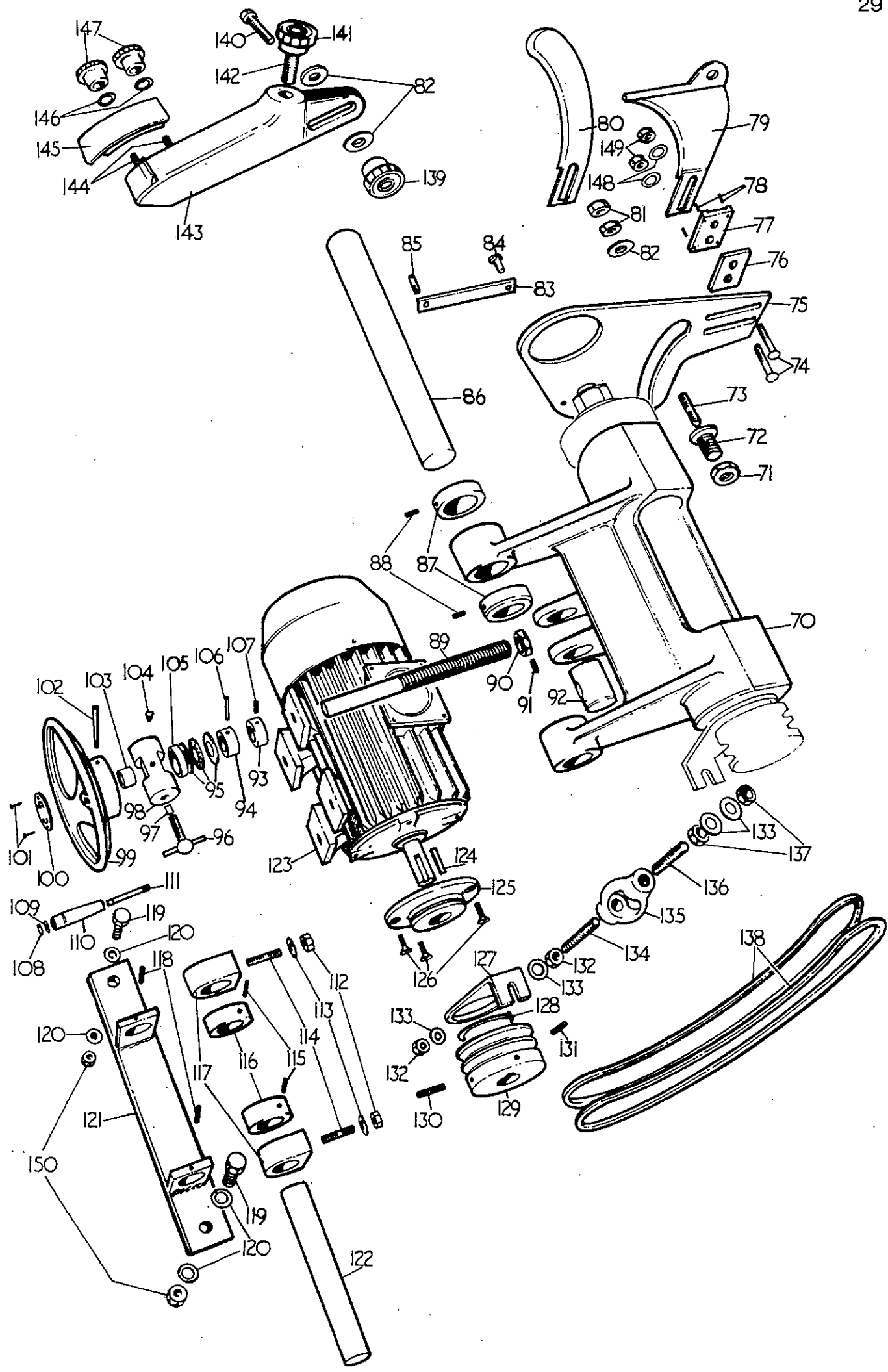


SAW RISE & FALL ASSEMBLY (SHEET ONE)

<u>REF. NO.</u>	<u>PART NO.</u>	<u>QTY.</u>	<u>DESCRIPTION.</u>
70	BSW502	1	SPINDLE HOUSING.
71	---	1	$\frac{5}{8}$ " WHIT LOCKNUT.
72	BSW563	1	BOLT FOR RIVING KNIFE PLATE.
73	---	1	$\frac{3}{8}$ " WHIT x $1\frac{1}{4}$ " LONG STUD.
74	---	2	$\frac{3}{8}$ " WHIT x $1\frac{3}{4}$ " LONG SPECIAL COACH BOLTS.
75	BSW538	1	RIVING KNIFE SUPPORT PLATE.
76	BSW564	1	RIVING KNIFE HOLDER PACKING PIECE.
77	BSW513	1	RIVING KNIFE HOLDER.
78	---	4	$\frac{3}{16}$ " WHIT x $\frac{3}{8}$ " LONG ALLEN GRUB JACK SCREWS.
79	BSW532	1	STANDARD RIVING KNIFE.
80	BSW546	1	SPECIAL RIVING KNIFE FOR OVER TABLE GUARD.
81	---	2	$\frac{3}{8}$ " WHIT NUTS.
82	BSW534	3	SPECIAL WASHER.
83	BSW539	1	RIVING KNIFE PLATE LINK.
84	BSW49/A.	1	RIVING KNIFE PLATE PIN.
85	BSW51	1	RIVING KNIFE PLATE LINK PIN.
86	BSW510	1	SPINDLE HOUSING PIVOT SHAFT.
87	BSW42	2	HOUSING PIVOT SHAFT COLLARS.
88	---	2	$\frac{3}{8}$ " WHIT x $\frac{1}{2}$ " LONG ALLEN GRUB SCREWS.
89	BSW511	1	RISE AND FALL SCREW.
90	---	1	$\frac{3}{4}$ " WHIT LEFT HAND RISE AND FALL SCREW LOCKNUT.
91	---	1	$\frac{1}{4}$ " WHIT x $\frac{1}{2}$ " LONG ALLEN GRUB SCREW.
92	BSW31	1	RISE AND FALL NUT.
93	BSW565	1	RISE AND FALL SCREW STOP COLLAR.
94	BSW34	1	RISE AND FALL SCREW COLLAR.
95	---	1	SKF 0.6 RISE AND FALL SCREW THRUST RACE.
96	SI22A	1	RISE AND FALL SCREW TEE LOCK HANDLE.

CONT. →

NOTE:- WHEN ORDERING SPARE PARTS QUOTE SERIAL NUMBER OF MACHINE AND PART NUMBER OR REFERENCE.



SAW RISE & FALL ASSEMBLY (SHEET TWO)

<u>REF. NO.</u>	<u>PART NO.</u>	<u>QTY.</u>	<u>DESCRIPTION.</u>
97	---	1	RISE AND FALL SCREW LOCK BRASS PAD.
98	BSW509	1	RISE AND FALL HANDWHEEL TRUNION.
99	BSW535	1	8"DIA. ALUMINIUM HANDWHEEL.
100	---	1	RISE AND FALL INDICATOR PLATE.
101	---	2	3/32 BRASS RIVETS.
102	---	1	NO. 4. TAPER PIN.
103	---	1	3/4" i/d. x 7/8" o/d. x 7/8" LONG OILITE BUSH.
104	---	1	SPRING LID OIL CUP FOR RISE AND FALL SCREW.
105	BSW46	1	THRUST RACE DUST SHROUD.
106	---	1	3/16"DIA. x 1 1/2" LONG GROOVELOCK DOWEL.
107	---	1	1/4" WHIT x 1/4" LONG ALLEN GRUB SCREW.
108	---	1	3/8" EXTERNAL CIRCLIP.
109	STOCK ITEM	1	PLASTIC RISE & FALL HANDLE SPECIAL WASHER.
110	6698/A.	1	3/8" BORE x 2 7/8" LONG PLASTIC RISE AND FALL HANDLE.
111	STOCK ITEM.	1	HANDWHEEL SPINDLE.
112	---	2	3/8" WHIT NUTS.
113	---	2	3/8" WASHERS.
114	---	2	3/8" WHIT x 1 1/2" LONG STUDS.
115	---	2	5/16" WHIT x 1/2" LONG ALLEN GRUB SCREWS.
116	BSW134	2	MOTOR PIVOT SHAFT COLLARS.
117	BSW7	2	MOTOR PIVOT BLOCKS.
118	---	2	1/4" WHIT x 1/2" LONG ALLEN GRUB SCREWS.
119	---	2	3/8" WHIT BOLTS x 1 1/4" LONG.
120	---	4	3/8" WASHER.
121	BSW507	1	MOTOR PLATFORM.
122	BSW508	1	MOTOR PIVOT SHAFT.
123	5 1/2 HP (4kw) MOTOR, FRAME D112M, 3000 RPM, 380/420v. <u>STANDARD.</u>		

NOTE:- WHEN ORDERING SPARE PARTS QUOTE SERIAL NUMBER OF MACHINE AND PART NUMBER OR REFERENCE.

CONT. →

SAW RISE & FALL ASSEMBLY (SHEET THREE)

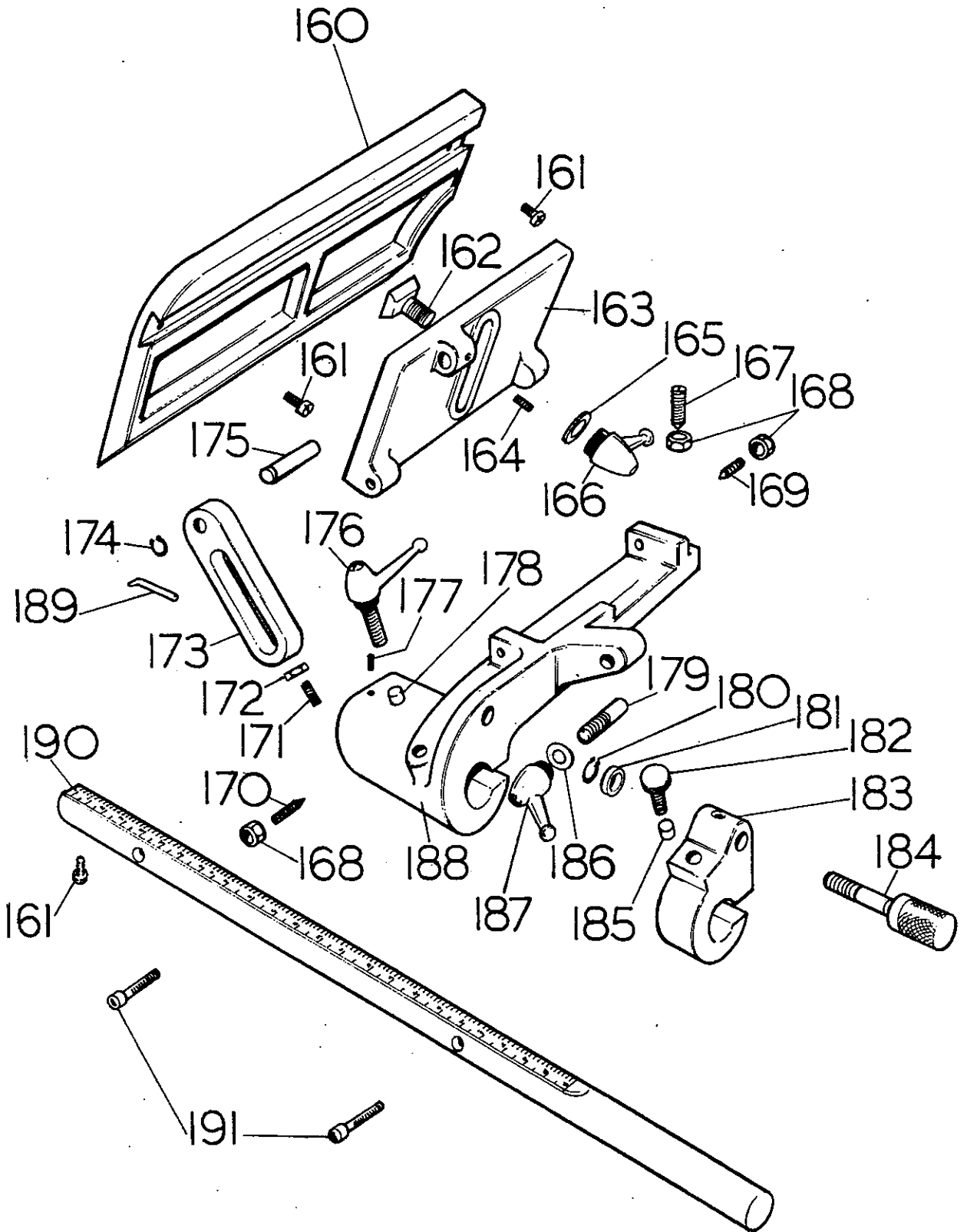
<u>REF.</u> <u>NO.</u>	<u>PART</u> <u>NO.</u>	<u>QTY.</u>	<u>DESCRIPTION.</u>
124	---		8mm WIDE x 7mm DEEP x 40mm LONG MOTOR SHAFT KEY.
125	BSS58	1	MOTOR SPIGOT.
126	---	3	$\frac{1}{4}$ " WHIT x $\frac{3}{4}$ " LONG COUNTERSUNK SCREWS.
127	BSW519	1	MOTOR TENSION BRACKET.
128	---	1	2 $\frac{1}{2}$ " EXTERNAL CIRCLIP.
129	BSW527	1	MOTOR PULLEY.
130	---	1	5/16" WHIT x 1" LONG ALLEN GRUB SCREW.
131	---	1	5/16" WHIT x $\frac{3}{4}$ " LONG ALLEN GRUB SCREW.
132	---	2	$\frac{1}{2}$ " WHIT LEFT HAND THREAD NUTS.
133	---	4	$\frac{1}{2}$ " WASHERS.
134	BSW142	1	$\frac{1}{2}$ " WHIT LEFT HAND 4 $\frac{1}{4}$ " LONG MOTOR TENSION SCREW.
135	BSW135	1	TURNBUCKLE.
136	BSW537	1	$\frac{1}{2}$ " WHIT RIGHT HAND 7" LONG MOTOR TENSION SCREW.
137	---	2	$\frac{1}{2}$ " WHIT NUTS.
138	---	2	ALPHA 500 "V"-ROPES.
139	---	1	$\frac{3}{8}$ " WHIT NO. 32 PLASTIC HANDWHEEL.
140	---	1	$\frac{3}{8}$ " WHIT x 2 $\frac{3}{4}$ " LONG CHEESE HEAD SCREW.
141	---	1	$\frac{3}{8}$ " PLAIN BORE NO 32 PLASTIC HANDWHEEL.
142	BSW548	1	GUARD ADJUSTMENT SCREW.
143	BSW528	1	ALUMINIUM SAW GUARD.
144	---	2	$\frac{3}{8}$ " WHIT x 1 $\frac{1}{4}$ " LONG STUDS.
145	BSW529	1	SAW GUARD VISOR.
146	---	2	$\frac{1}{4}$ " WASHERS.
147	---	2	$\frac{1}{4}$ " WHIT PLASTIC HANDWHEELS FOR GUARD VISOR
148	---	2	$\frac{3}{8}$ " WASHERS.
149	---	2	$\frac{3}{8}$ " NUTS.
150	---	2	$\frac{3}{8}$ " NUTS.

NOTE:- WHEN ORDERING SPARE PARTS QUOTE SERIAL NUMBER OF MACHINE AND PART NUMBER OR REFERENCE.

CANTING FENCE ASSEMBLY.

<u>REF.</u> <u>NO.</u>	<u>PART</u> <u>NO.</u>	<u>NO.</u> <u>OFF.</u>	<u>DESCRIPTION.</u>
160	BSW524	1	FRONT FENCE PLATE.
161	---	3	$\frac{1}{4}$ " WHIT x $\frac{1}{4}$ " LONG CHEESE HEAD SCREWS.
162	BSW8	1	DOVETAIL BOLT.
163	BSW523	1	BACK FENCE PLATE.
164	---	1	$\frac{1}{4}$ " WHIT x $\frac{3}{8}$ " LONG ALLEN GRUB SCREW.
165	---	1	$\frac{1}{2}$ " WASHER.
166	---	1	$\frac{1}{2}$ " WHIT LEVER - LOCK HANDLE.
167	BSW83	1	TURNOVER BRACKET SCREW.
168	---	3	$\frac{3}{8}$ " WHIT LOCKNUTS.
169	BSW66	1	FENCE PIVOT SCREW (ECCENTRIC.)
170	BSW65	1	FENCE PIVOT SCREW (TRUE.)
171	---	1	$\frac{5}{16}$ " WHIT x $\frac{1}{2}$ " LONG ALLEN GRUB SCREW.
172	---	1	$\frac{5}{16}$ " WHIT LOCKNUT.
173	BSW525	1	FENCE LINK.
174	---	1	$\frac{3}{8}$ " EXTERNAL CIRCLIP.
175	BSW17	1	FENCE LINK PIVOT PIN.
176	---	1	$\frac{1}{2}$ " WHIT LEVER LOCK HANDLE.
177	---	1	$\frac{3}{16}$ " WHIT x $\frac{1}{4}$ " LONG ALLEN GRUB SCREW.
178	STOCK ITEM.	1	BRASS LOCK LEVER PAD.
179	---	1	$\frac{1}{2}$ " WHIT x 2" LONG STUD.
180	---	1	$\frac{5}{8}$ " EXTERNAL CIRCLIP.
181	BSW123	1	FINE ADJUSTMENT SCREW COLLAR.
182	BSW58	1	FINE ADJUSTMENT BRACKET THUMB SCREW.
183	BSW526	1	FINE ADJUSTMENT BRACKET.
184	BSW63	1	FENCE FINE ADJUSTMENT SCREW.
185	STOCK ITEM	1	FINE ADJUSTMENT BRACKET BRASS LOCKING PAD.
186	---	1	$\frac{1}{2}$ " WASHER.
187	---	1	$\frac{1}{2}$ " WHIT LEVER - LOCK HANDLE.
188	BSW522	1	TURNOVER BRACKET.
189	BSW56	1	RULE POINTER.
190	BSS88	1	FENCE BAR (IMPERIAL/METRIC GRAD- UATED.)
191	---	2	$\frac{3}{8}$ " WHIT x $1\frac{1}{4}$ " LONG ALLEN SCREWS.

NOTE:- WHEN ORDERING SPARE PARTS QUOTE SERIAL NUMBER OF MACHINE AND PART NUMBER OR REFERENCE.



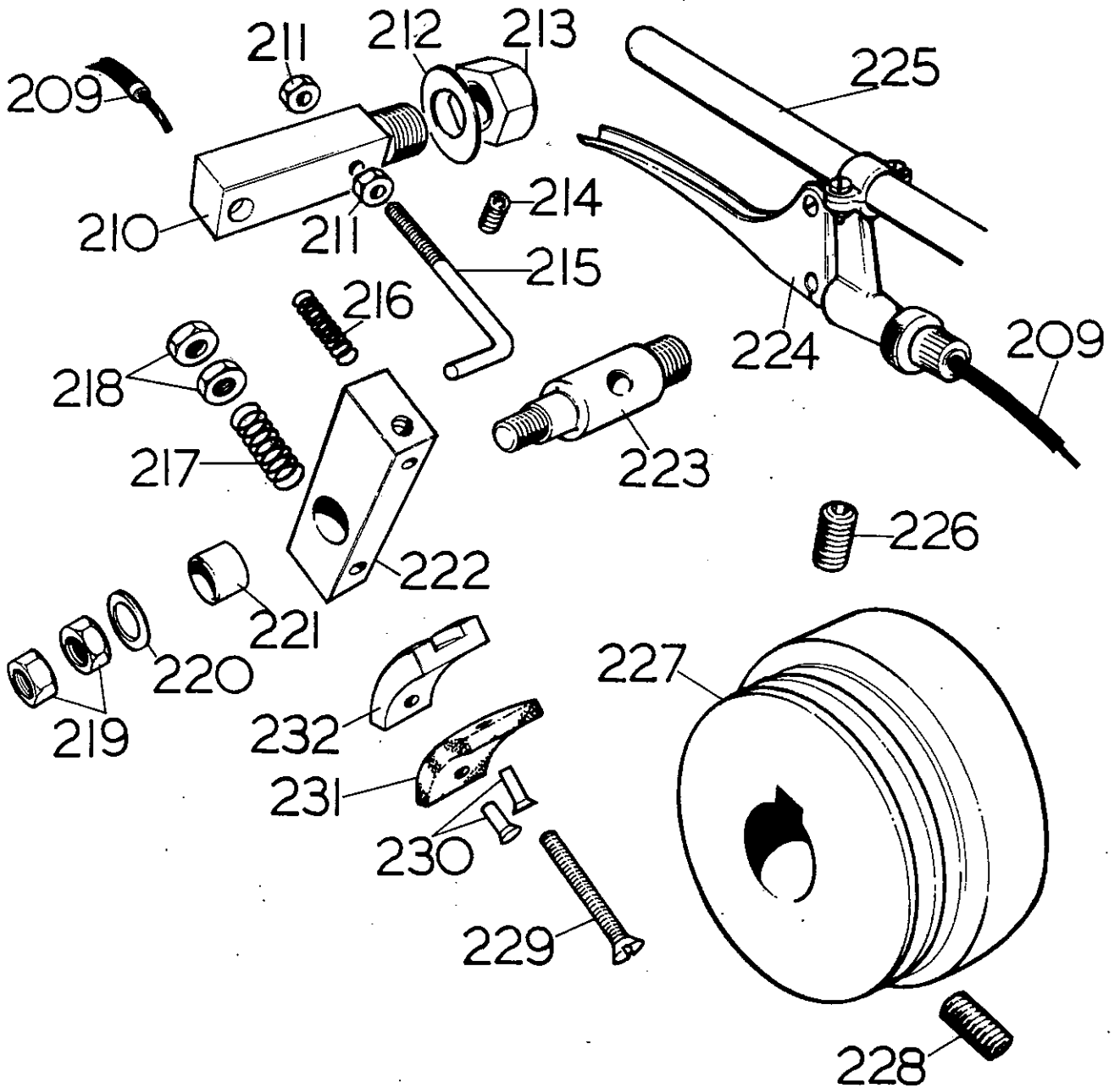
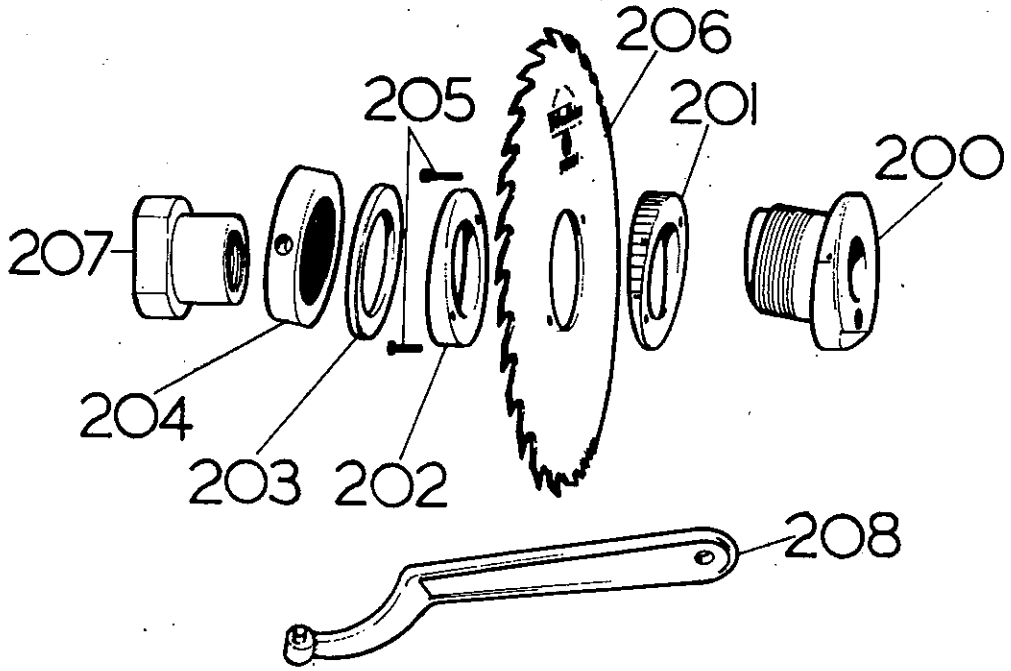
WOBBLE SAW UNIT (EXTRA)

<u>REF.</u> <u>NO.</u>	<u>PART</u> <u>NO.</u>	<u>QTY.</u>	<u>DESCRIPTION.</u>
200	QM40	1	WOBBLE UNIT SLEEVE.
201	QM11	1	GRADUATED SAW COLLAR.
202	QM12	1	PLAIN SAW COLLAR.
203	QM13	1	WASHER.
204	QM14	1	LOCKING NUT.
205	QM20	2	WOBBLE UNIT COLLAR SCREWS.
206	QS117	1	WOBBLE SAW BLADE 10" (254mm) DIA.
207	QW7A.	1	SPINDLE NUT.
208	QS71	1	"C" TYPE LOCKING SPANNER.

SPINDLE BRAKE ASSEMBLY (EXTRA)

209	16" CABLE.	1	BRAKE CABLE AND FITTINGS.
210	BSW552	1	BRAKE POST.
211	---	2	3/16" WHIT LOCK NUTS.
212	---	1	1/2" WASHER.
213	---	1	1/2" WHIT NUT.
214	---	1	1/4" WHIT x 3/8" LONG ALLEN GRUB SCREW.
215	BSW148	1	STOP SCREW FOR SPINDLE BRAKE.
216	---	1	BRAKE RETURN SPRING 1 1/8" LONG.
217	BSW145	1	PAD ALIGNMENT SPRING.
218	---	2	1/4" WHIT LOCKNUTS.
219	---	2	5/16" WHIT LOCKNUTS.
220	---	1	SPECIAL 5/16" WASHER.
221	---	1	7/8" o/d x 3/8" l/d x 1/2" LONG OILITE BUSH.
222	BSW132	1	BRAKE ARM.
223	BSW551	1	BRAKE PIVOT PIN.
224	107.PA. 1/8 RH.	1	BRAKE LEVER COMPLETE.
225	BSW128	1	BRAKE LEVER ARM.
226	---	1	5/16" WHIT x 1/2" LONG ALLEN GRUB SCREW.
227	BSW550	1	SPINDLE BRAKE PULLEY.
228	---	1	5/16" WHIT x 5/8" LONG ALLEN GRUB SCREW.
229	---	1	1" WHIT x 2" LONG COUNTERSUNK SCREW.
230	---	2	1/8" DIA. COPPER RIVETS.
231	---	1	SPECIAL BRAKE PAD LINING MATERIAL.
232	BSW553	1	BRAKE PAD BACKING QUADRANT.

WHEN ORDERING REPLACEMENT PARTS QUOTE SERIAL NUMBER OF MACHINE AND PART NUMBER OR REFERENCE.



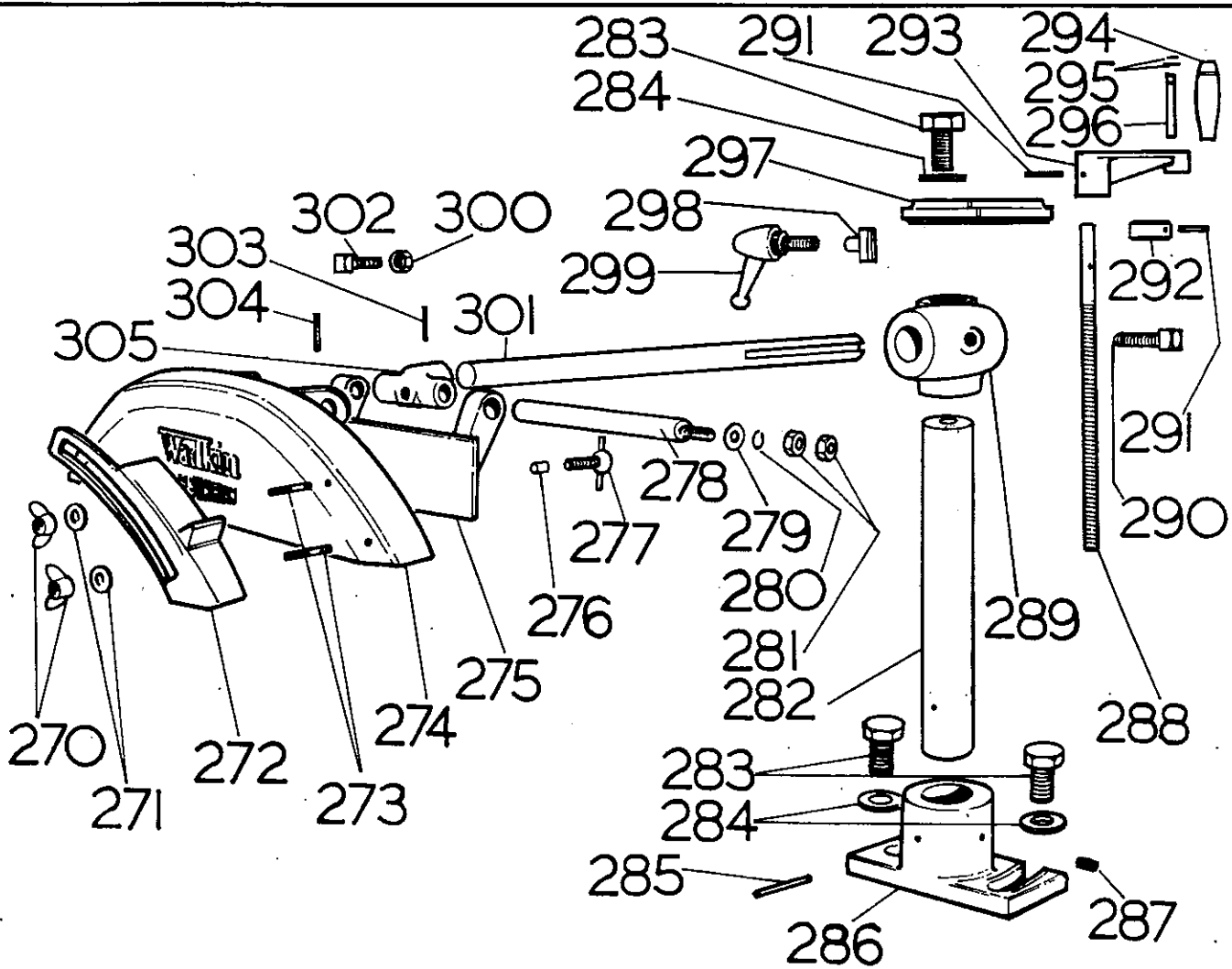
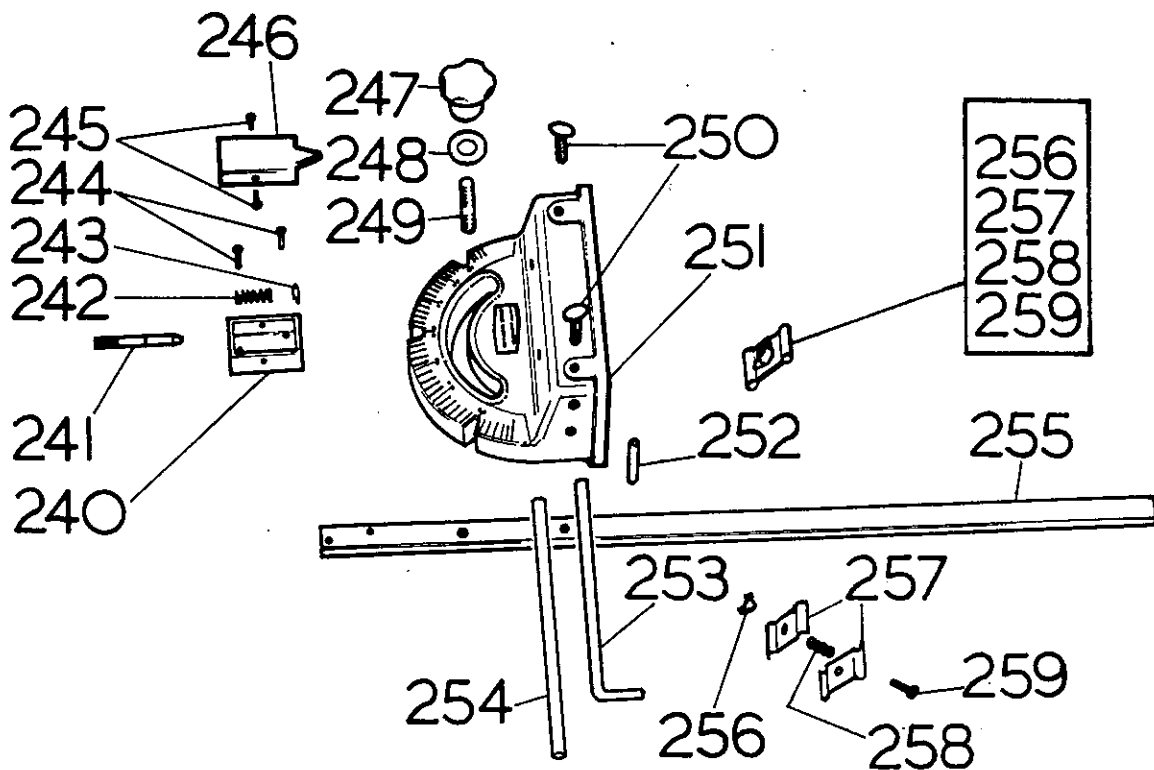
MITRE FENCE ASSEMBLY

<u>REF.</u>	<u>PART NO.</u>	<u>QTY.</u>	<u>DESCRIPTION.</u>
240	A-1026/220	1	MITRE FENCE PLUNGER BRACKET.
241	A-1026/226	1	MITRE FENCE LOCATION PIN.
242	ETS 30	1	PLUNGER SPRING.
243	5103-25	1	PLUNGER CIRCLIP.
244	---	2	3/16" WHIT X 3/8" LONG SCREWS.
245	Z4	2	1/4" LONG SELF TAPPING SCREWS.
246	A-1026/227	1	PLUNGER BRACKET COVER.
247	---	1	5/16" WHIT X 1 3/4" DIA. PLASTIC HAND- WHEEL.
248	A-1026/174	1	5/16" WASHER FOR MITRE FENCE.
240	---	1	5/16" WHIT X 1 1/2" LONG STUD.
250	---	2	1/4" WHIT THUMB-SCREWS.
251	D-1026/219	1	MITRE FENCE BODY.
252	---	1	PIVOT PIN FOR MITRE FENCE.
253	B1026/69	1	MITRE FENCE STOPROD (CRANKED.)
254	B-1026/69	1	MITRE FENCE STOPROD (STRAIGHT)
255	---	1	MITRE FENCE TABLE STRIP.
256	---	2	1/4" WHIT WING NUTS.
257	A-1026/68	4	MITRE FENCE STOP PLATES.
258	A-1026/73	2	MITRE FENCE STOP PLATE SPRINGS.
259	---	2	1/4" WHIT X 3/4" LONG COACH BOLTS.

PILLAR GUARD ASSEMBLY

270	---	2	1/4" WHIT WING NUTS.
271	---	2	1/4" WASHERS.
272	SQ	1	SAW GUARD VISOR.
273	---	2	1/4" WHIT X 1" LONG STUDS.
274	BSW 72	1	SAW GUARD.
275	BSW 73	1	SAW GUARD REAR COVER.
276	BSW 57	1	5/16" DIA. BRASS LOCKING PAD.
277	---	1	3/8" WHIT TEE LOCK HANDLE.
278	BSW 79	1	SAW GUARD SHAFT.
279	---	1	3/8" WHIT WASHER.
280	---	1	3/8" SPRING WASHER.
281	---	2	3/8" WHIT LOCKNUTS.
282	BSW 75	1	SAW GUARD COLUMN.
283	---	3	1/2" WHIT x 1 1/2" LONG BOLTS.
284	---	3	1/4" WASHERS.
285	---	1	1/4" DIA. x 2 3/4" LONG GROOVELOCK DOWEL.
286	BSW 67	1	SAW GUARD BASE CASTING.
287	---	1	1/4" WHIT x 3/8" LONG GRUB SCREW.
288	BSW 76	1	SAW GUARD RISE AND FALL SCREW.
289	BSW 68	1	SAW GUARD RISE AND FALL BOSS.
290	(BSW STOCK)	1	LOCKING BOLT 1/2" WHIT x 1 3/4" LONG SQUARE HEAD.
291	---	1	3/16" DIA. X 1" LONG GROOVELOCK DOWEL.
292	BSW 77	1	SAW GUARD RISE AND FALL SCREW COLLAR.
293	BSW 70	1	SAW GUARD RISE AND FALL HANDLE.
294	---	1	PLASTIC HANDLE FOR GUARD RISE & FALL.
295	STOCK ITEMS.	1 EACH.	SAW GUARD RISE AND FALL HANDLE WASHER AND CLIP.
296	STOCK ITEM.	1	SAW GUARD RISE AND FALL HANDLE SPINDLE.
297	BSW 69	1	SAW GUARD RISE AND FALL CAP.
298	BSW 82	1	LOCKING KEY.
299	---	1	1/2" WHIT LEVER LOCK HANDLE.
300	---	1	5/16" WHIT LOCKNUT.
301	BSW 78/A.	1	SAW GUARD SUPPORT ARM.
302	---	1	5/16" WHIT X 1/2" LONG SQUARE HEAD BOLT.
303	---	1	1/4" DIA. X 2" LONG GROOVELOCK DOWEL.
304	---	1	3/16" DIA. X 1 1/2" LONG GROOVELOCK DOWEL.
305	BSW 71	1	BRACKET FOR SAW GUARD.

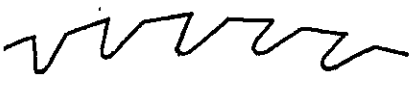


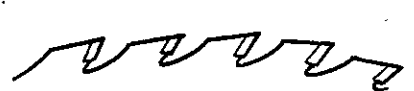
NOTE:- WHEN ORDERING REPLACEMENT PARTS QUOTE SERIAL NUMBER OF MACHINE, ALSO PART NUMBER OR REFERENCE.



RECOMMENDED SPARE PARTS.

PART	QTY	REF
SPINDLE BEARINGS	2	S.K.F. 6308ZZ
RISE & FALL SCREW THRUST RACE	1	" 0.6
VEE-BELTS	2	ALPHA 500
FELT SAW PACKINGS	2	1/2" X 7/16" X 4"
<u>ELECTRICS 380/440-3Ph-50Cyc.</u>		
FIXED & MOVING CONTACTS RP4	1 Set	MEM ADS STARTER
NO VOLT COIL	1	" " "
OVERLOAD UNIT	1 Set	" " "
FIXED & MOVING CONTACTS	1 Set	BROOK RT3 STARTER
NO VOLT COIL	1	" " "
OVERLOAD UNIT UI6	1 Set	" " "
FIXED & MOVING CONTACTS	1 Set	BROOK RYD. STARTER
NO VOLT COIL	1	" " "
OVERLOAD UNIT	1	" " "
TIMER	1	" " "

STANDARD STOCK SAWS.

BC15	16" (400mm) DIAMETER ALLOY CROSSCUT SAW.	
BC16	16" (400mm) DIAMETER GENERAL PURPOSE ALLOY RIP SAW.	
BC17	16" (400mm) DIAMETER CHROME PLATED RIP SAW.	
BC 122	16" (400mm) DIAMETER TUNGSTEN CARBIDE TIPPED RIP SAW.	

OTHER TYPES OF SAWS FOR CUTTING PLASTICS & PLYWOOD ARE AVAILABLE, DETAILS OF WHICH CAN BE APPLIED FOR OR BE SEEN IN THE Wadkin SMALL TOOLS CATALOGUE.